

COMPACT AUDIO

A-311/X-311/X-311L

KENWOOD

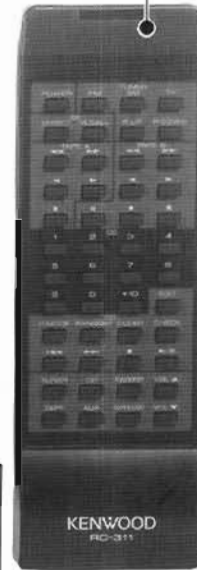
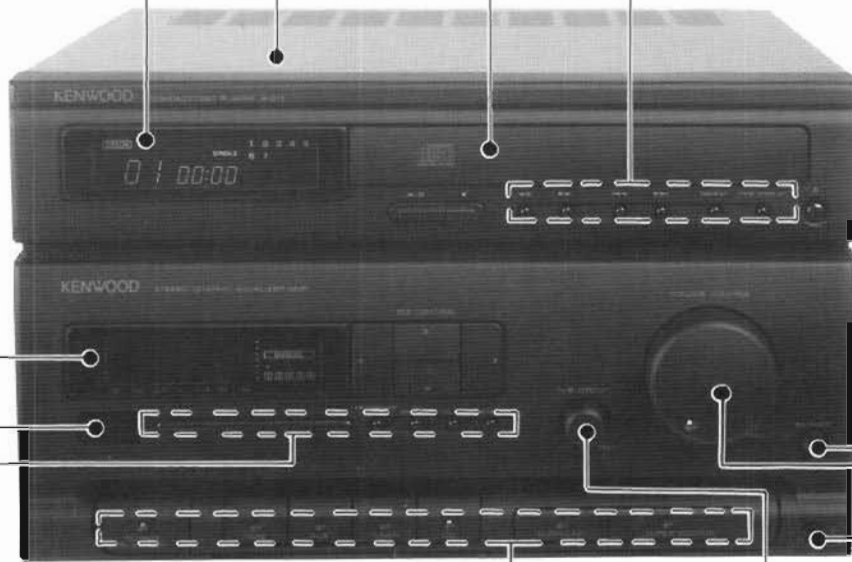
SERVICE MANUAL

| Parts No. | Location | Qty. shipped |
|-------------|---------------|--------------|
| B51-4180-00 | A60401 | 1 |
| 357900/000 | C940422765/00 | |
| K-837 | | |

© 1991-3 PRINTED IN JAPAN
B51-4180-00 (O) 2994

KENWOOD

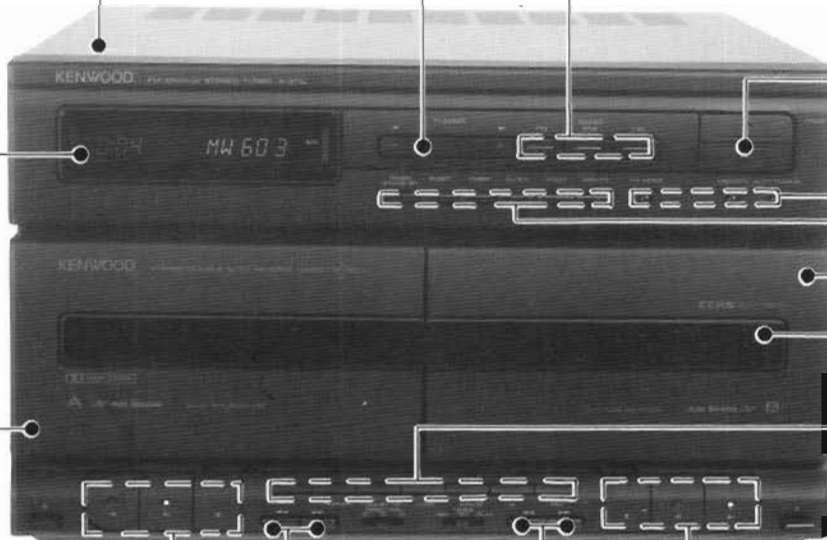
- GE window (SH1101240147)
- CD indicator (SH1101240146)
- Cabinet (A-311) (SH1101070166)
- Tray panel (SH1101580615)
- Knob (CD function) (SH1101741096)
- Knob (BALANCE) (SH1101741087)
- Remote controller* (A70-)



- Remote controller filter (SH1101240152)
- Knob (MEMORY/FLT/EFFECT/REF) (SH1101741095)
- LED with top (A) (SH1101540972)
- Knob (BASS) (SH1101741086)
- Headphone jack (SH1305170468)
- Knob (VOLUME) (SH1101741085)

- Tuner window (SH1101240148)
- Cabinet (X-311) (SH1101070166)
- Knob (TUNING) (SH1101741101)
- Knob (BAND) (SH1101741142) : K,M,X (SH1101741102) : E,T

Photo is A-311.



Knob (PRESET) (SH1101741103)

Knob (MODE) (SH1101741141)

Knob (TIMER) (SH1101741104)

T1 cassette cover (SH1101100447)

Cassette window (SH1101240145)

Knob (7 KEYS) (SH1101741099)

T2 cassette cover (SH1101100448)

T2 cassette knob (SH1101741144) : M,X (SH1101741150) : K,E,T

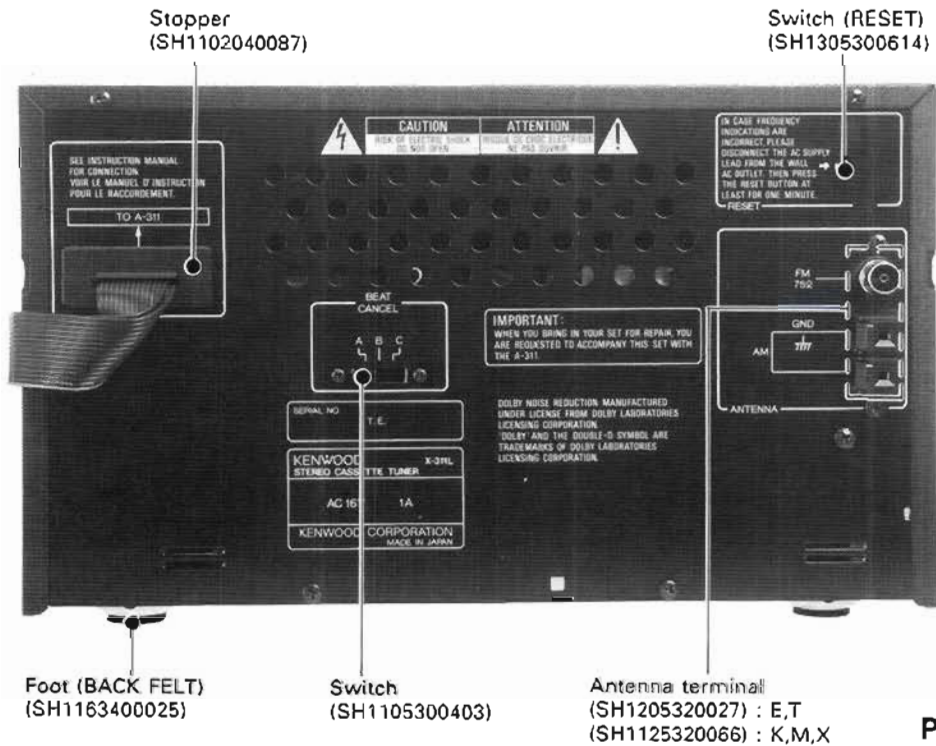
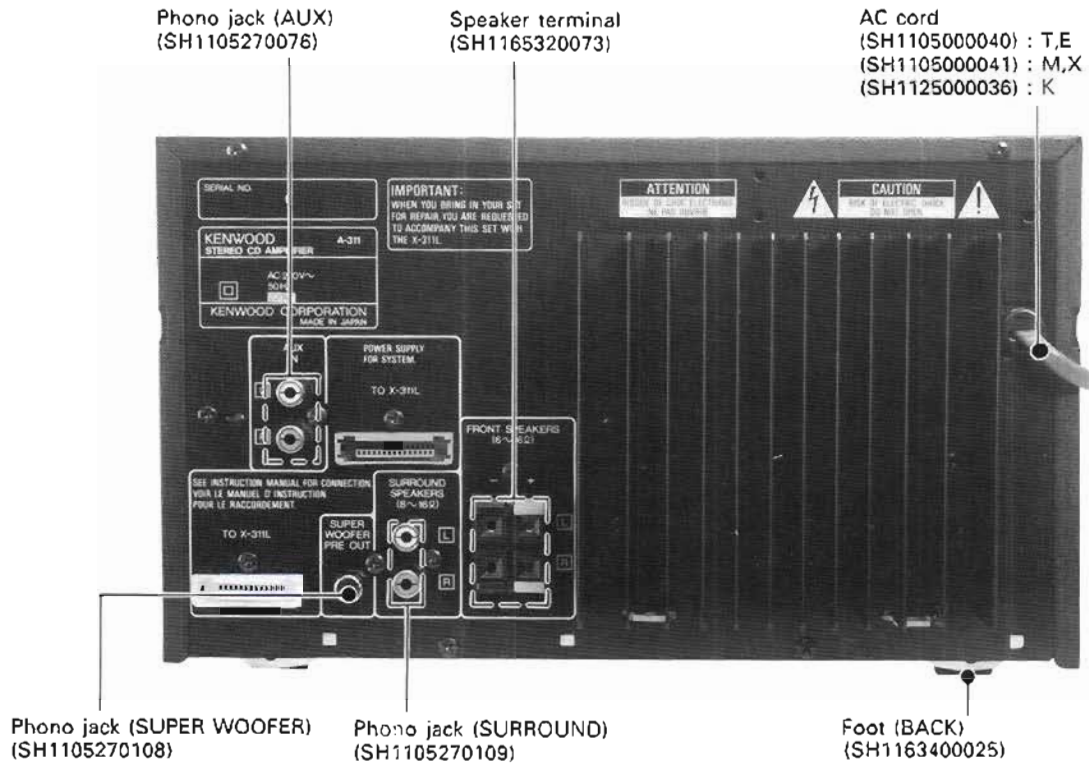
Knob (FF REW) (SH1101741100)

T1 cassette knob (SH1101741143) : M,X (SH1101741149) : K,E,T

Photo is X-311L.

A-311/X-311

EXTERNAL VIEW





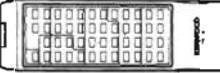



CONTENTS/ACCESSORIES/CAUTIONS

Contents

| | | | |
|--------------------------------|------------------------|--|--|
| ACCESSORIES | 3 | SCHEMATIC DIAGRAM | |
| CAUTION | 3 | A-311 | |
| CONTROLS | 4 | | 23, 24, 25, 26, 27, 28, 29, 30, 35, 36, 37, 38 |
| DISASSEMBLY FOR REPAIR | | X-311 | |
| A-311 | 6, 8 | 39, 40, 41, 42, 47, 48, 49, 50, 51, 52, 53, 54, 57, 58 | |
| X-311 | 10 | EXPLODED VIEW (MECHANISM) | |
| BLOCK DIAGRAM | | A-311 | 59 |
| A-311 | 11, 12, 13, 14 | X-311 | 60 |
| X-311 | 15, 16 | EXPLODED VIEW (UNIT) | |
| ADJUSTMENT | 17 | A-311 | 61 |
| PC BOARD (COMPONENT SIDE VIEW) | | X-311 | 62 |
| A-311 | 21, 22, 31, 32, 33, 34 | PARTS LIST | 63 |
| X-311 | 43, 44, 45, 46, 55, 56 | SPECIFICATIONS | BACK COVER |

Accessories

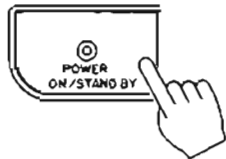
- AM loop antenna ... 1

(SH1105020013)
- FM indoor antenna ... 1

(SH1125040004)
- AC plug adaptor ... 1
(Except for some areas)

(E03-0115-05) M
- Antenna adaptor ... 1
(75 Ω/300 Ω)
(Except for some areas)

(T90-0136-05) E,T
- Remote control unit ... 1

(A70-0526-08) K,M,X
(A70-0527-08) E,T
- Batteries (R06/AA) ... 2

(-)

Caution

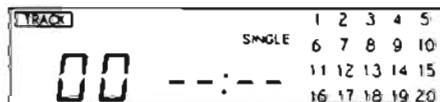
• Caution after transport or carriage of the CD player

When the CD player was transported or carrier to another place, please perform the following operation to check it.

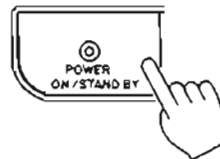
① Turn the power ON without putting a disc in the unit.



② Wait several seconds, and check that the display of CD player shown below appears.



③ Turn the power OFF.

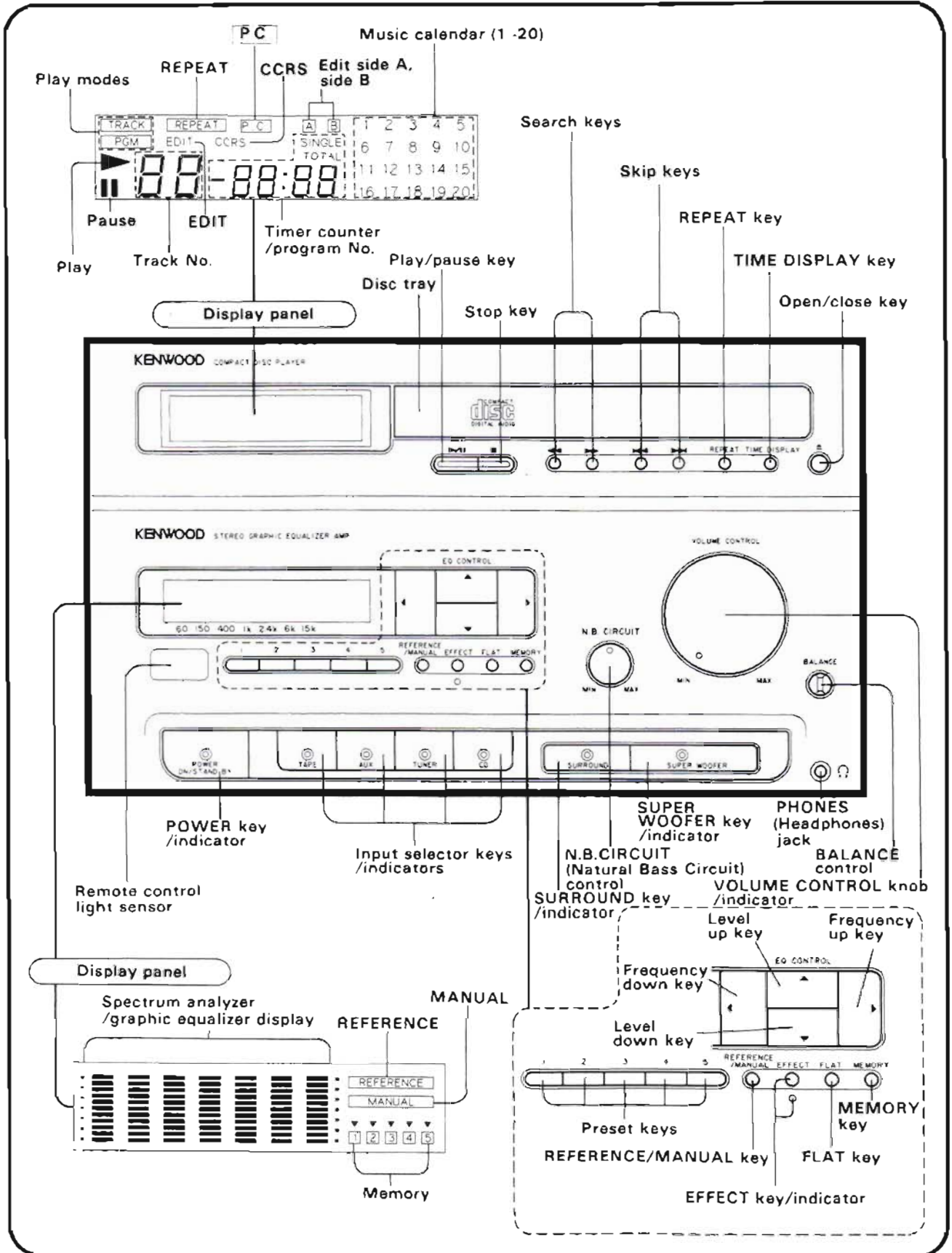


• Caution of repair

1. Write mark on cable and connector, before pulling out cable.
2. If you want to power on A-311 without X-311/ X-311L, short-circuit TP201.
3. If you want to power on X-311/X-311L without A-311, need power supply jig (RM-90PS). Power-on procedure is written on page 17.

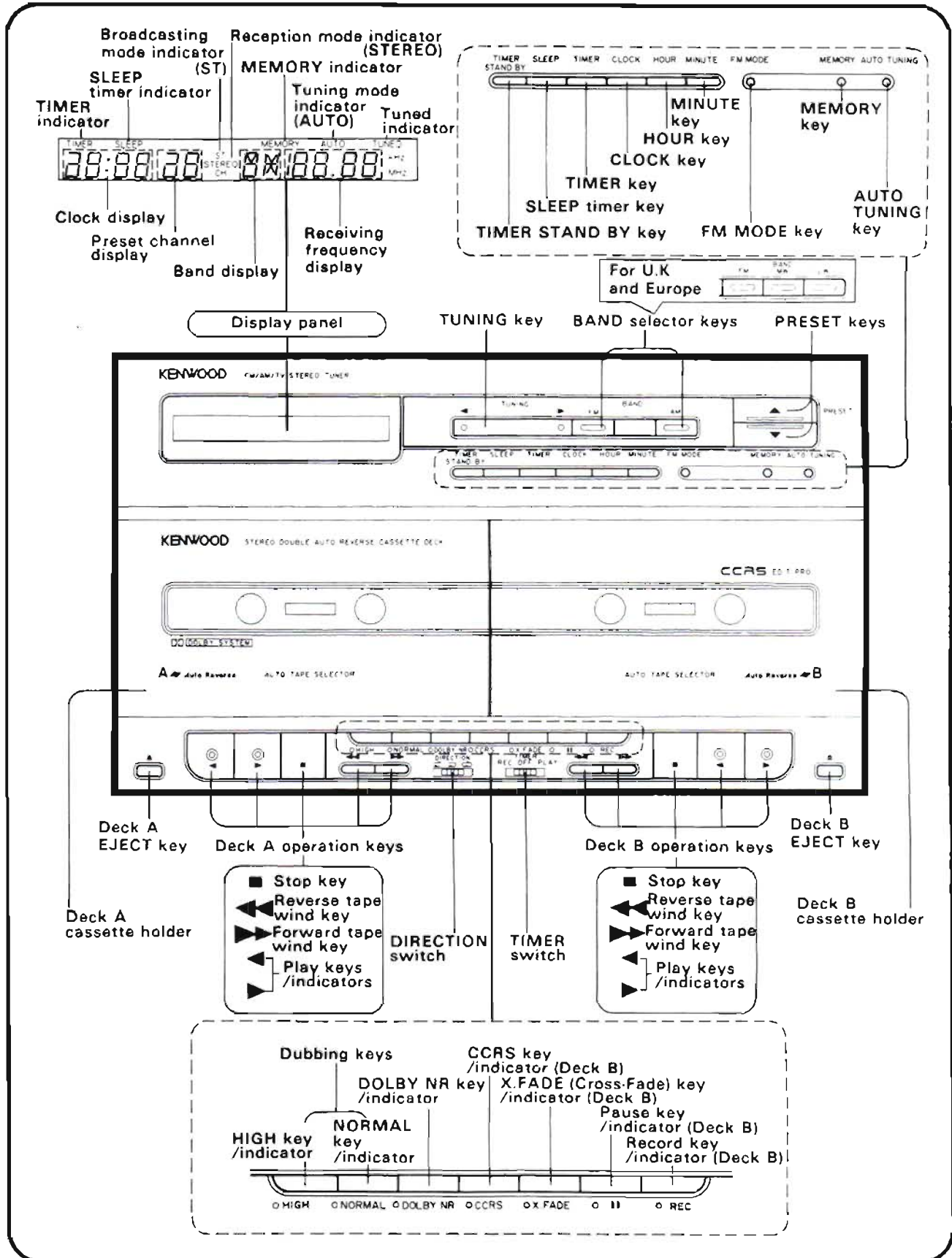
CONTROLS

CD player / amplifier unit



CONTROLS

Tuner / cassette deck unit



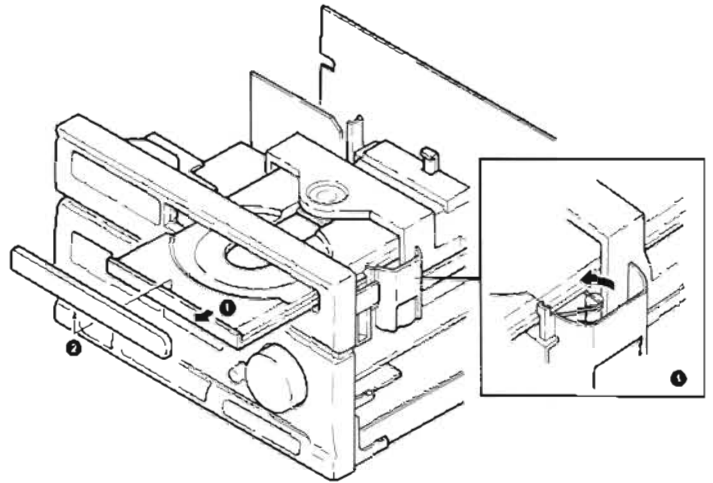
A-311/X-311

DISASSEMBLY FOR REPAIR

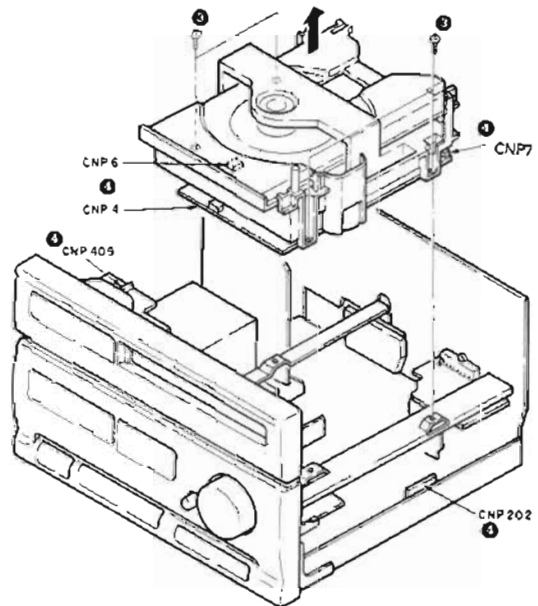
UD3 DISASSEMBLY FOR REPAIR

1. A-311 DISASSEMBLY

- 1-1. Turn pulley of mechanism counterclockwise and tray comes out (1).
- 1-2. Remove tray panel (2).

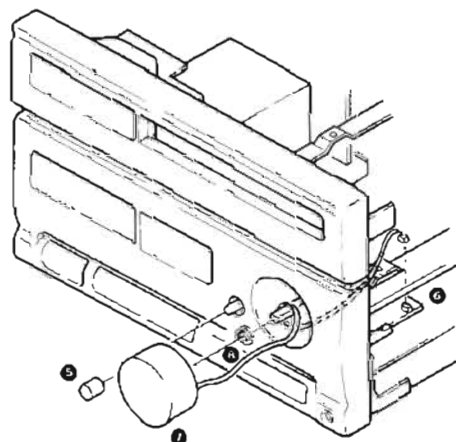


- 1-3. Remove 4 screws (3).
- 1-4. Pull out 5 connectors (4) and remove mechanism ass'y.



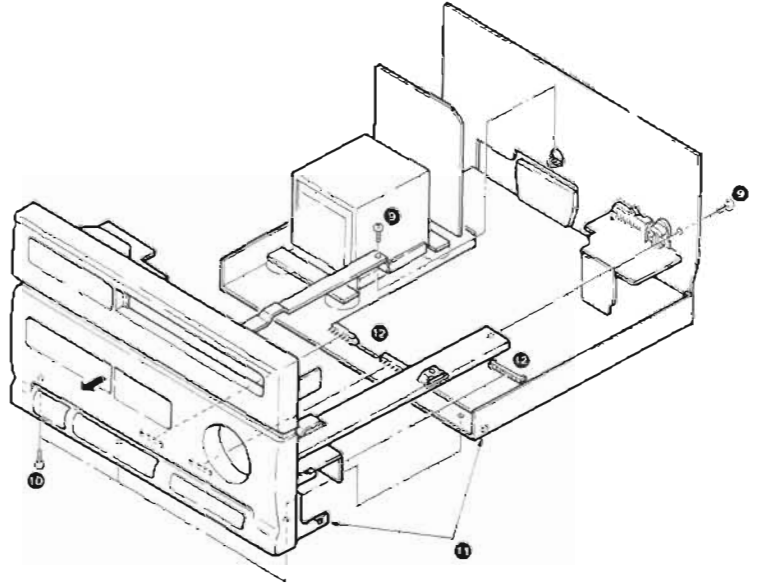
- 1-5. Remove knob of BASS CONTROL (5).
- 1-6. Pull out connector (6).
- 1-7. Remove VOLUME knob (7).
- 1-8. Remove nut (8).

NOTE: If reinstall VOLUME knob, wind LED leads around shaft of VOLUME potentiometer.

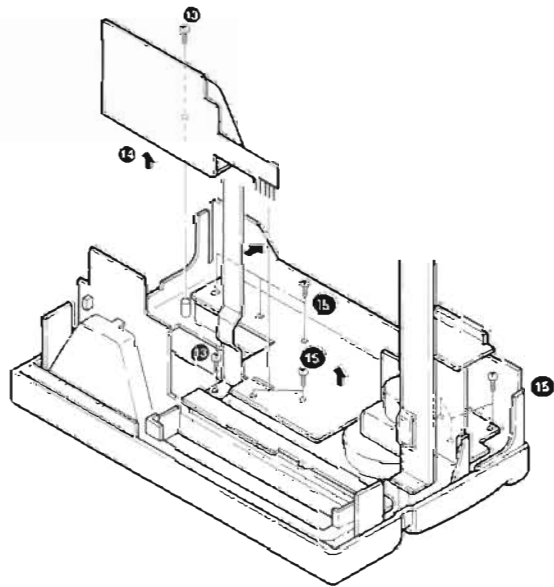


DISASSEMBLY FOR REPAIR

- 1-9. Remove 2 screws (9).
- 1-10. Remove 3 screws (10).
- 1-11. Undo both catches of front panel (11).
- 1-12. Pull out front panel ass'y frontwards with care of connectors (12).



- 1-13. Remove 2 screws (13).
- 1-14. Slide hardwares to arrows (14) and remove Display pcb
- 1-15. Remove 4 screws (15) and pcb.

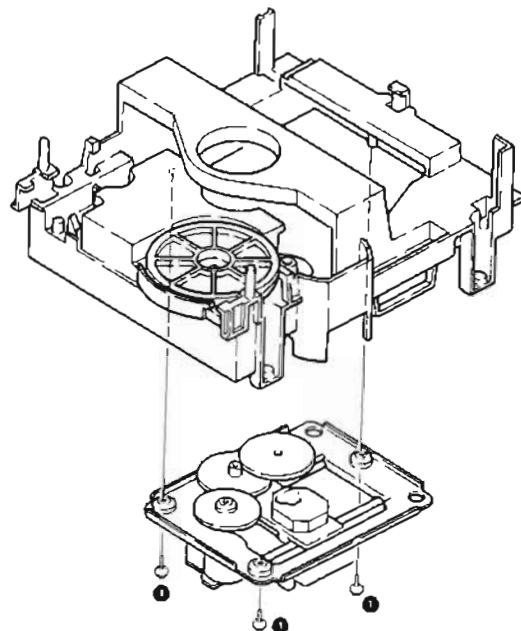


A-311/X-311

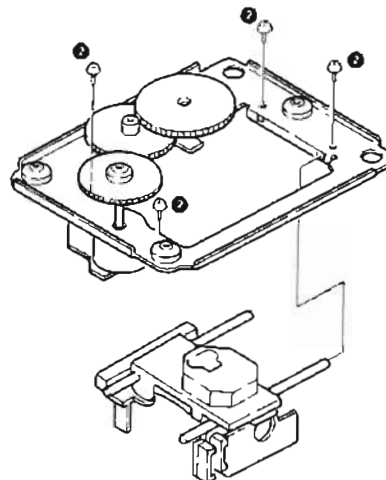
DISASSEMBLY FOR REPAIR

2. A-311 DISASSEMBLY

2-1. Remove 3 screws (1) and remove pickup chassis ass'y.

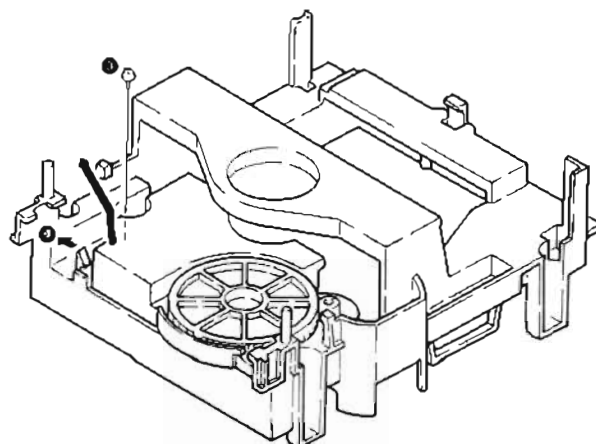


2-2. Remove 4 screws (2) and remove pickup.



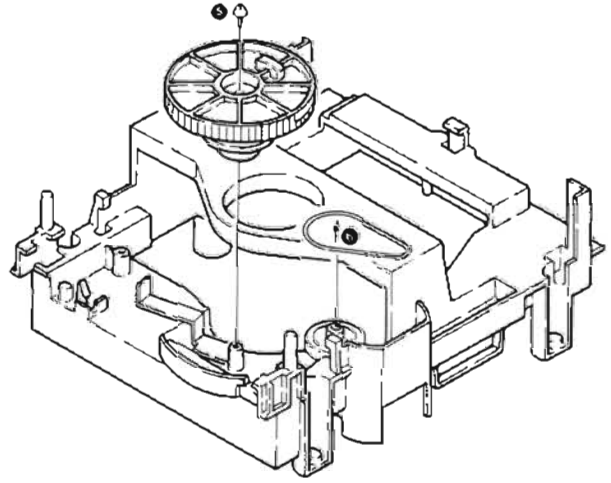
2-3. Remove screw (3).

2-4. Undo catch and remove shift lever to arrows (4).



DISASSEMBLY FOR REPAIR

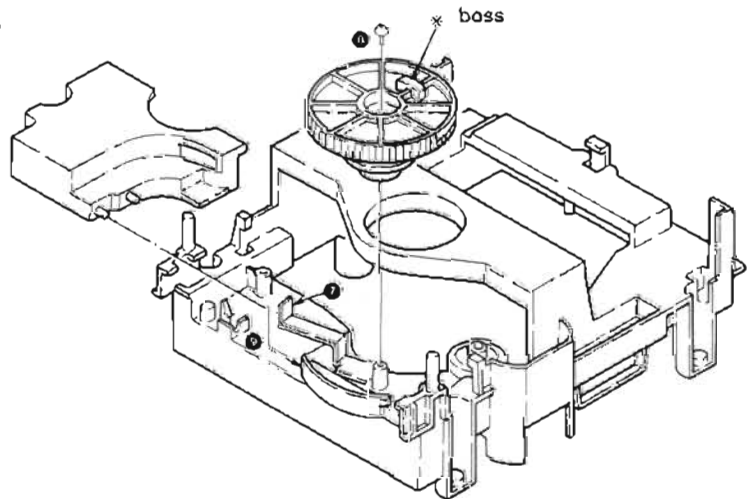
- 2-5. Remove screw (5) and remove gear.
 2-6. Remove belt (6). When installing gear, use the following procedure.



- 2-7. Fix plate to position of front (7).
 2-8. Set gear and fix it with screw (8).

NOTE: Position of Gear's boss is very important. please set boss backward.

- 2-9. Set projection of shift lever to hole of chassis (9).

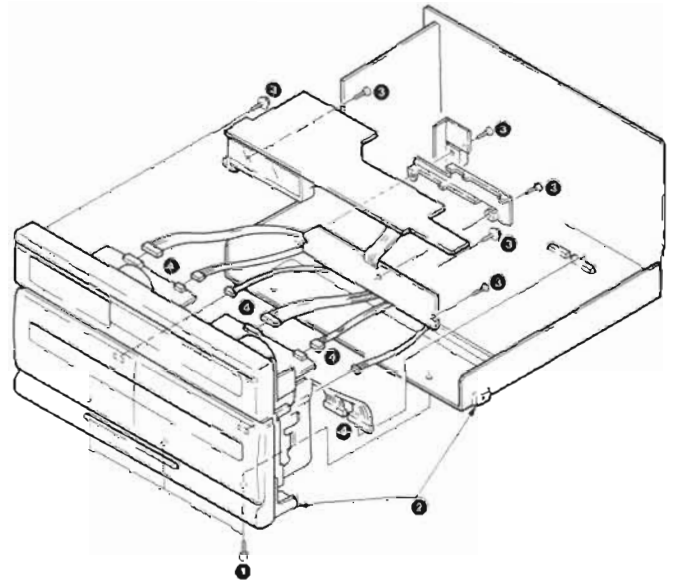


A-311/X-311

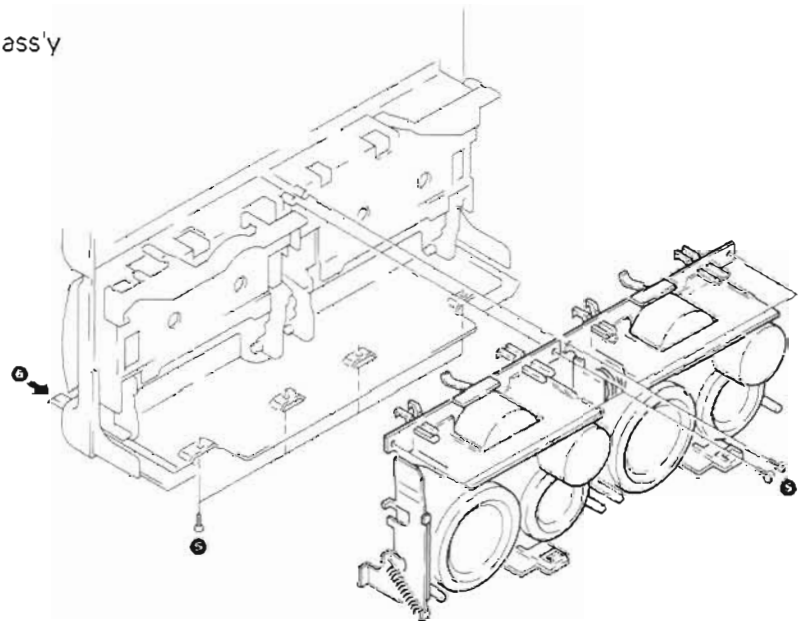
DISASSEMBLY FOR REPAIR

3. X-311 DISASSEMBLY

- 3-1. Remove 3 screws (1).
- 3-2. Undo both catches of front panel and remove panel (2).
- 3-3. Remove 6 screws (3) and front side pcbs.
- 3-4. Pull out 8 connectors (4).



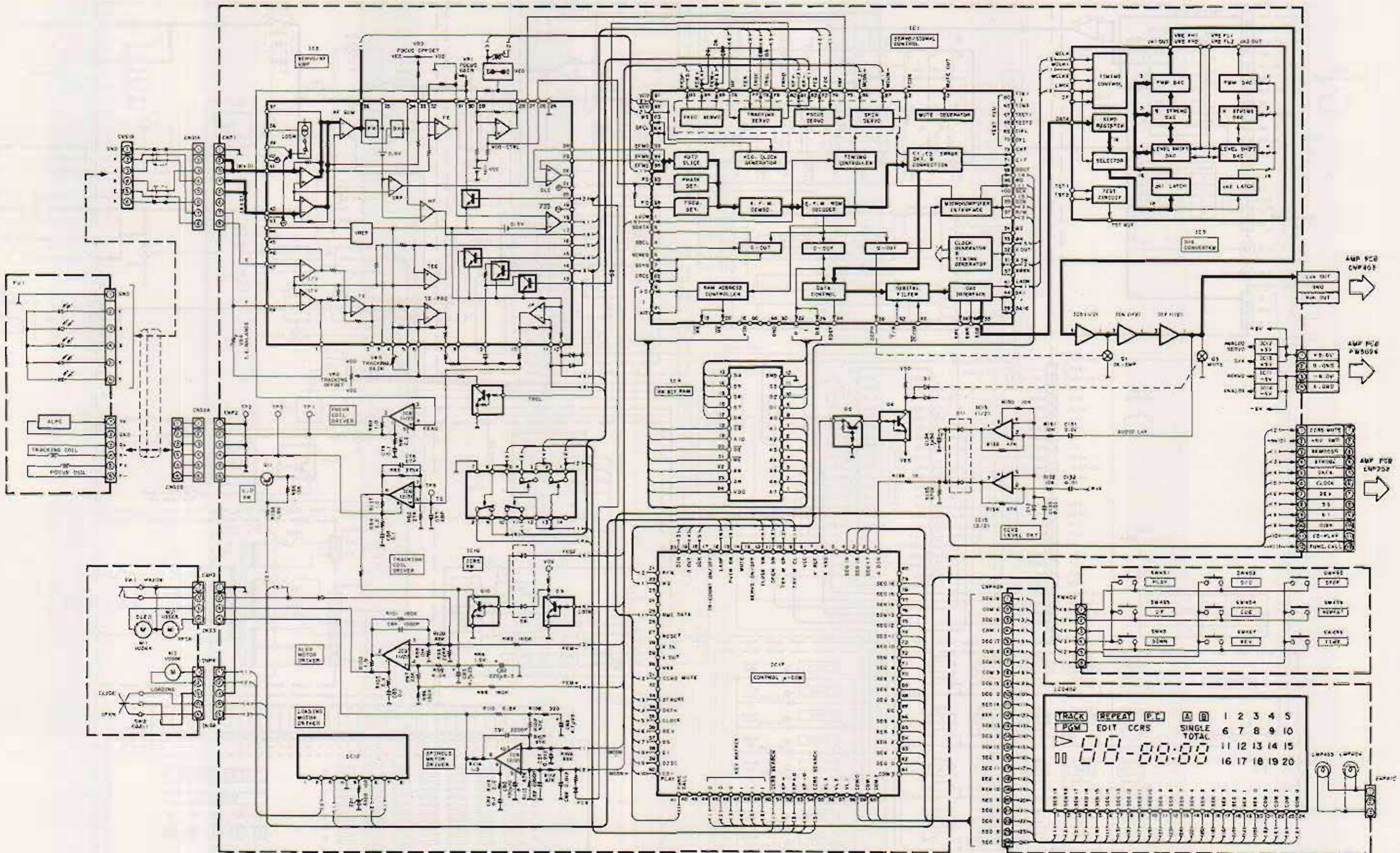
- 3-5. Remove 8 screws (5).
- 3-6. Push EJECT knob and remove mechanism ass'y (6).



A-311/X-311 A-311/X-311

BLOCK DIAGRAM

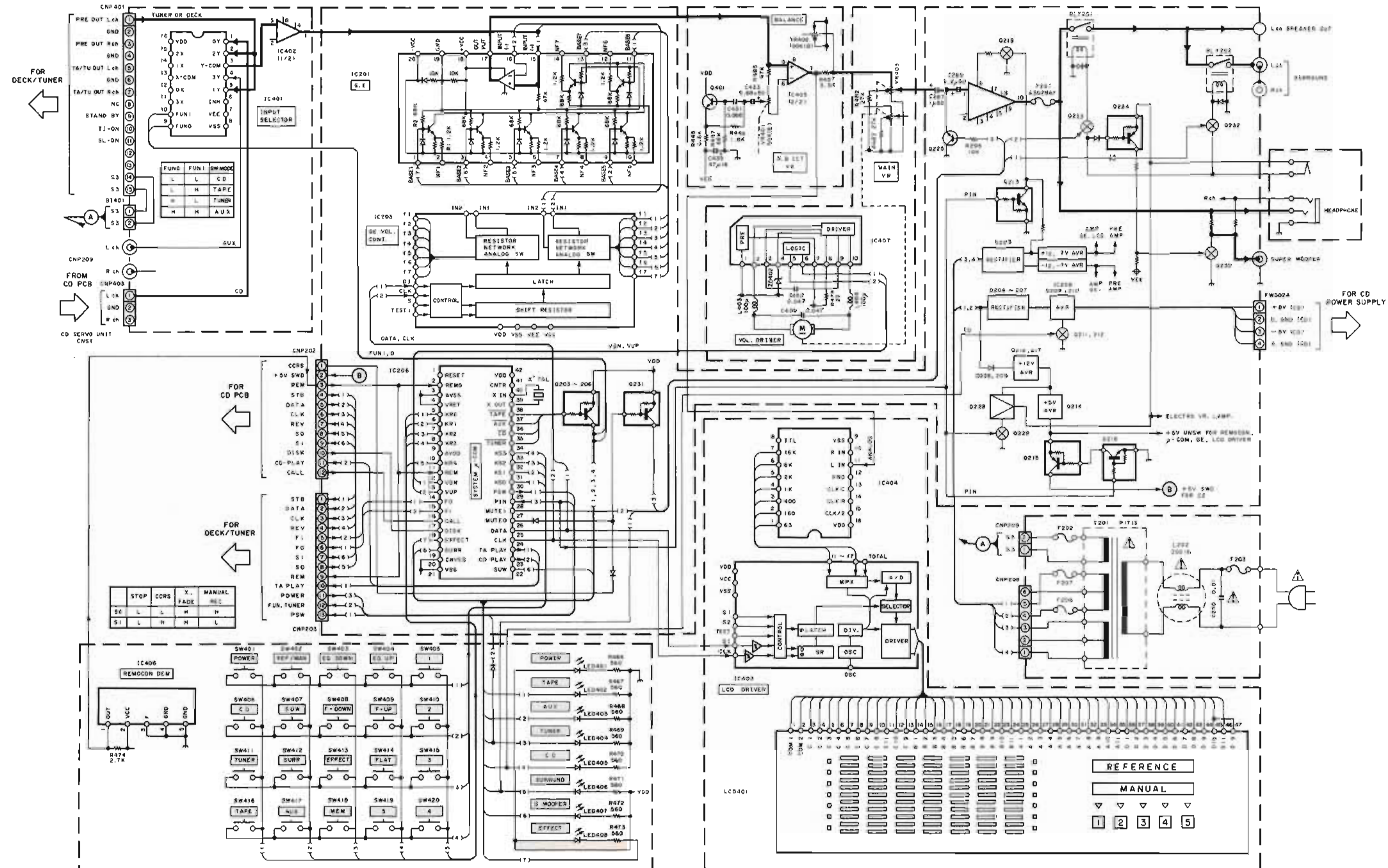
CD PLAYER



A-311/X-311 A-311/X-311

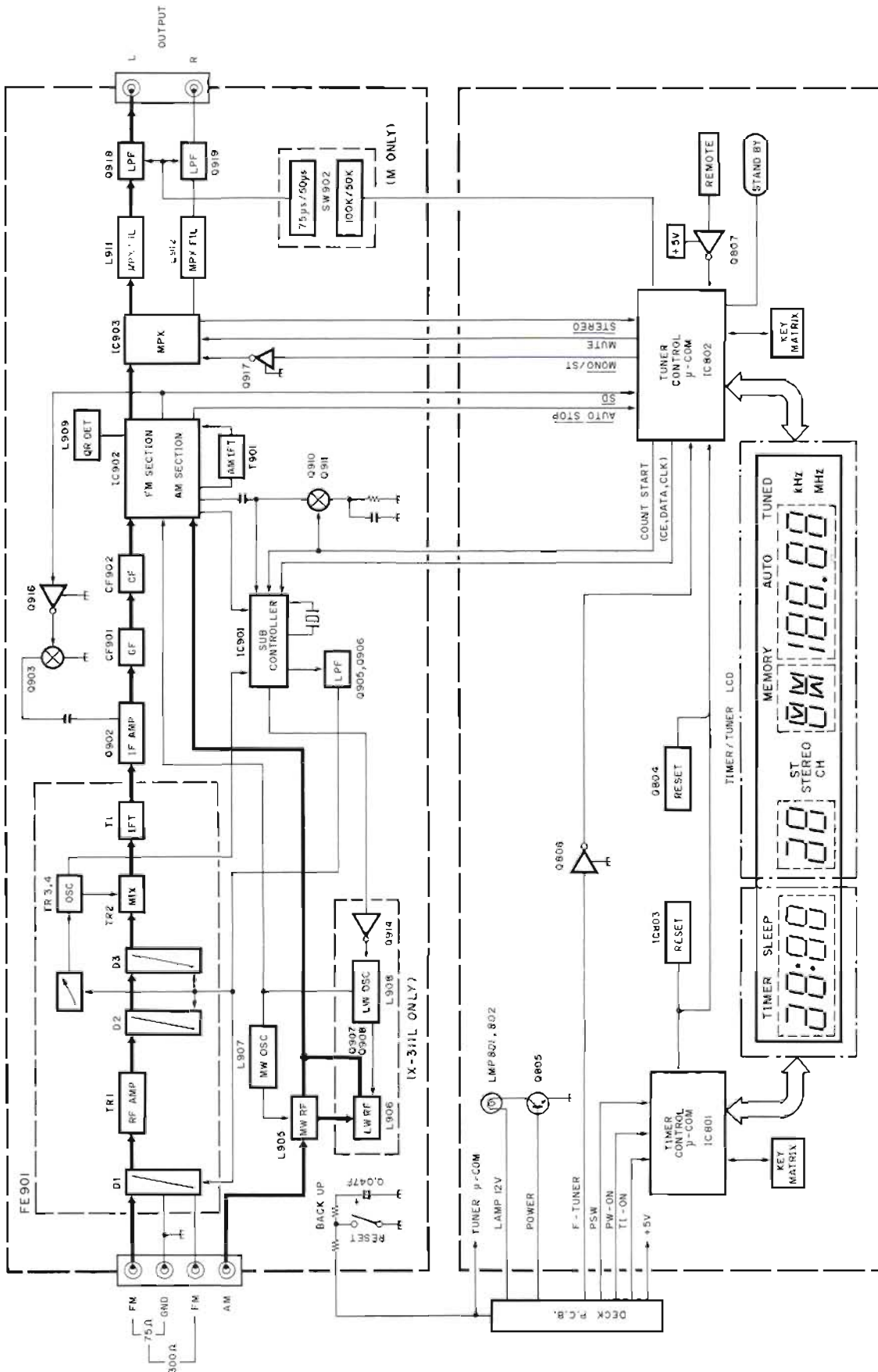
BLOCK DIAGRAM

AMPLIFIER & GRAPHIC EQUALIZER



BLOCK DIAGRAM

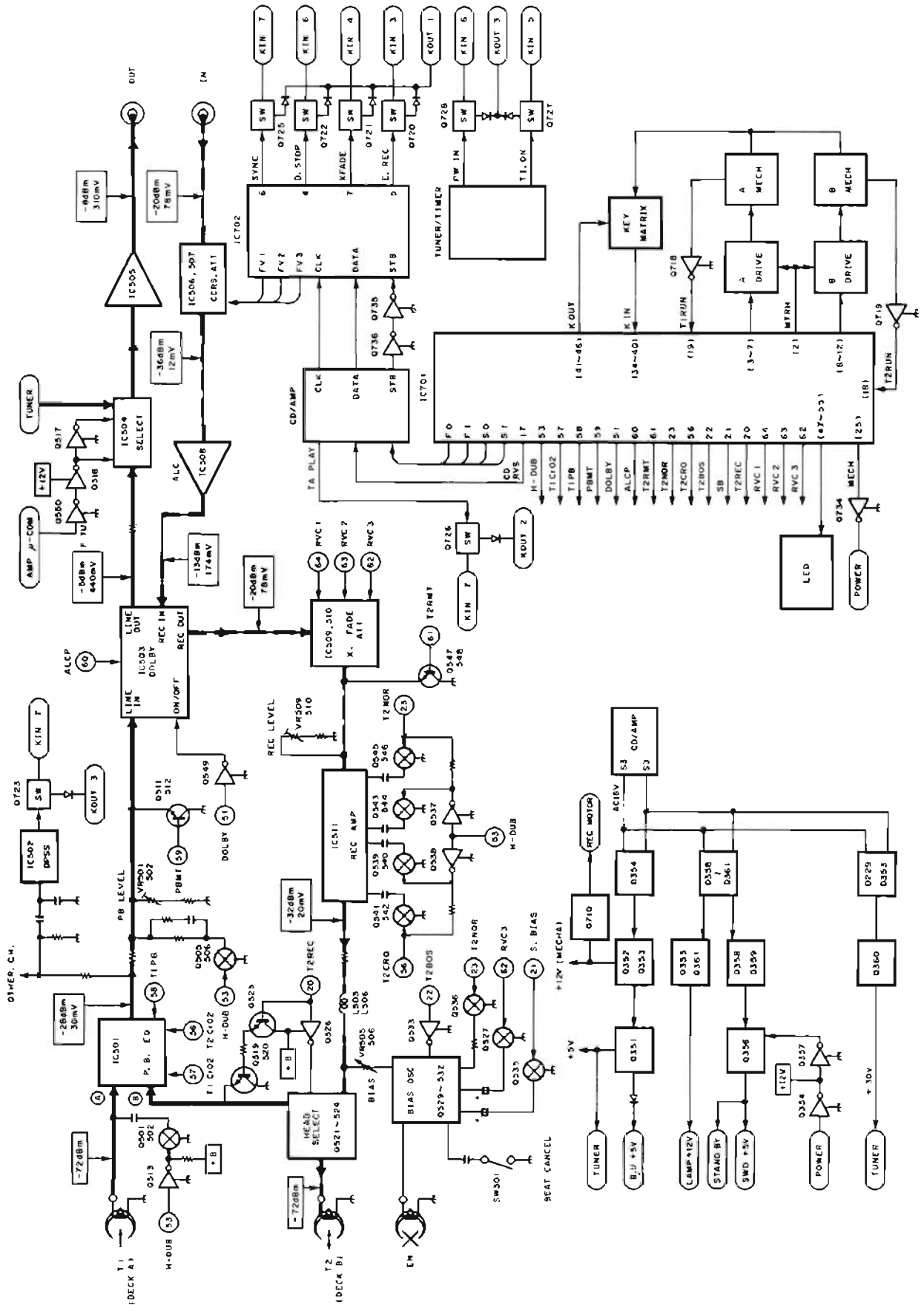
TUNER



X-311L

BLOCK DIAGRAM

CASSETTE DECK



ADJUSTMENT

CD PLAYER

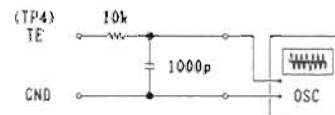
| NO. | ITEM | INPUT SETTINGS | OUTPUT SETTINGS | PLAYER SETTINGS | ALIGNMENT POINTS | ALIGN FOR | FIG. |
|-----|------------------------|---|---|---|-------------------|--|------|
| 1 | VCO | - | Connect a frequency counter to VCO (TP10) | STOP | L1 | $4.32\text{MHz} \pm 15\text{kHz}$ | (a) |
| 2 | FOCUS OFFSET | - | Connect DC voltmeter to FOCUS (TP1) | STOP | VR3 | $0 \pm 50\text{mV}$ | |
| 3 | TRACKING OFFSET | - | Connect DC voltmeter to TRACKING (TP3) | STOP | VR2 | $0 \pm 50\text{mV}$ | |
| 4 | TRACKING ERROR BALANCE | Test disc Type 4 | Connect an oscilloscope to TE (TP4) through L.P.F. | Set A-311 to TEST MODE. Connect pin 6 of IC8 to GND. PLAY | TE BALANCE VR4 | Symmetry between upper and lower patterns. or DC = 0 | (c) |
| 5 | FOCUS GAIN | Test disc Type 4 Apply signal of 1kHz, 100mVrms to FE (TP7) and FP (TP8) | Connect a BPF to FE (TP7) and FP (TP8) to which connect an oscilloscope or AC voltmeters. | PLAY | FOCUS GAIN VR1 | Two VTVMs should read the same value. | (e) |
| 6 | TRACKING GAIN | Test disc Type 4 Apply signal of 1kHz, 100mVrms to TE (TP4) and TP (TP5) | Connect a BPF to TE (TP4) and TP (TP5) to which connect an oscilloscope or AC voltmeters. | PLAY | TRACKING GAIN VR5 | Two VTVMs should read the same value. | (e) |

TEST MODE: Insert AC plug to wall outlet under pressing REPEAT and TIME DISPLAY knobs.

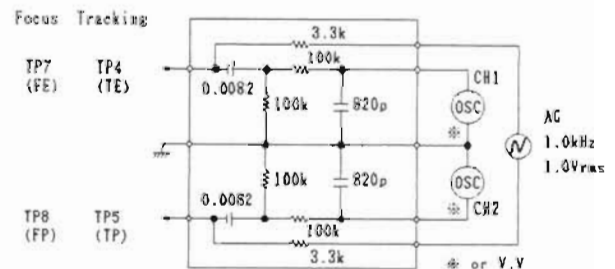
When using Power Supply Jig RM-90PS (KENWOOD made, extra charge) for X-311/ X-311L, use the following procedure to check and repair unit.

1. Connect TP705 to GND line.
2. Connect R769 to GND line.
3. Connect test equipments and unit to Jig as figure.

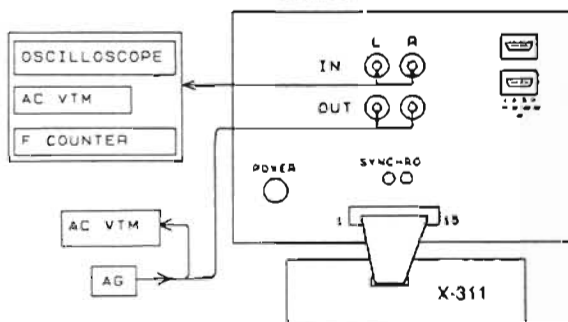
(c) T.E balance L.P.F



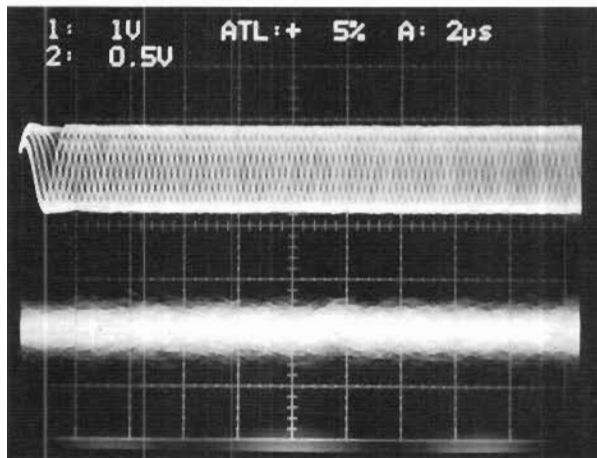
(e) Focus and Tracking gain B.P.F



RM-90PS Connections

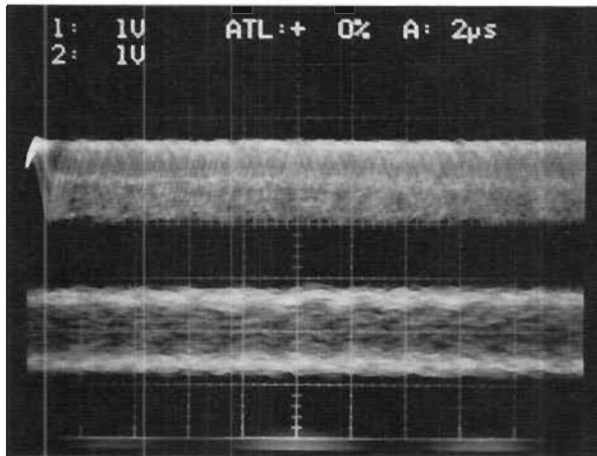


ADJUSTMENT

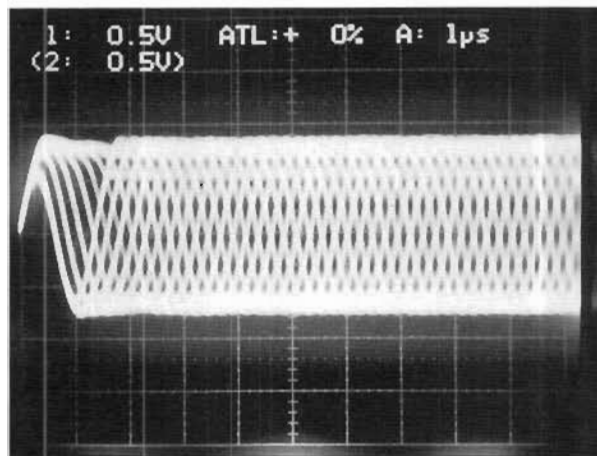


↑
12 μ s (sub spot)

- RF signal and E Spot signal in test mode (PLAY).
- If the diffraction grating has been adjusted properly, the influence of triggering is observed on the E.Spot waveform of approx. 12 μ s after RF signal, in the form of a projection.



- RF signal and T.Error signal, in test mode (Focusing ON), (Disc type 4)
- Adjust T.Error so that the waveform is symmetrical above and below 0V (VR4).



- RF signal in test mode (PLAY).
- Perform the tangential and focusing offset adjustments so that each of the center cross points are focused into one point on the display. The crossing points above and below the center shall also be displayed clearly.

ADJUSTMENT

ADJUSTMENT

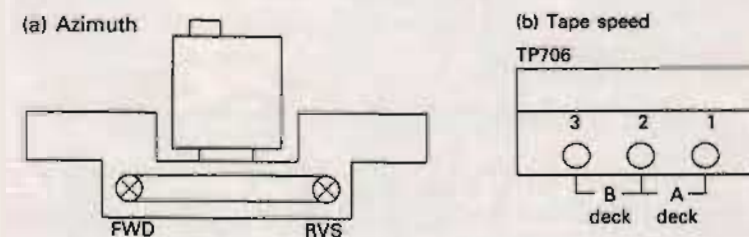
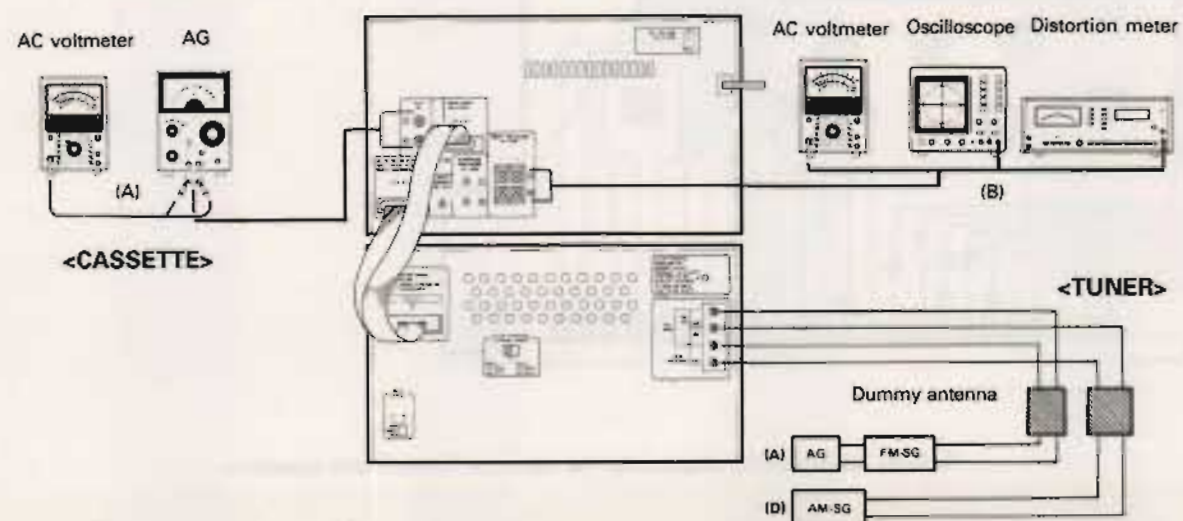
TUNER

CASSETTE DECK

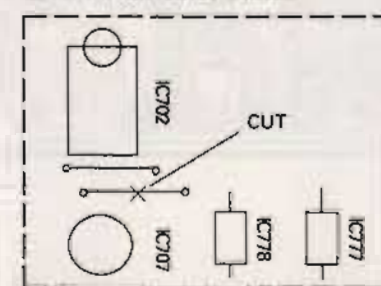
| NO. | ITEM | INPUT SETTINGS | OUTPUT SETTINGS | TUNER SETTINGS | ALIGNMENT POINTS | ALIGN FOR | FIG. |
|--|------------------|--|---|----------------------------|------------------|---|------|
| FM SECTION Unless otherwise specified, the individual switches should be set as following: SELECTOR: FM MODE: FM MODE/AUTO Repeat alignments 1 and 2 several times. | | | | | | | |
| 1 | DISCRIMINATOR | (A) 98.0MHz 1kHz, ±75kHz dev 60dBμ(Ant input) | Connect a DC voltmeter TP901. | MONO 98.0MHz | L909 | 0V | (b) |
| 2 | TUNING LEVEL | (A) 98.0MHz 0dev 27dBμ(Ant input)300V | (B) | AUTO or MONO 98.0MHz | VR901 | Adjust VR901 and stop at the point where PL1 (TUNED) goes on. | |
| AM-MW SECTION Keep the AM loop antenna installed. SELECTOR: AM | | | | | | | |
| (1) | BAND EDGE (1) | - | Connect a DC voltmeter between TP903 and GND. | 530kHz (522kHz) | L907 | 1.1V ± 0.1V | (a) |
| (2) | BAND EDGE (2) | - | Connect a DC voltmeter between TP903 and GND. | 1620kHz (1602kHz) | - | Confirm 7.4V ± 0.8V | (a) |
| Repeat alignments (1) and (2) several times. | | | | | | | |
| (3) | RF ALIGNMENT (1) | (D) 600kHz 400Hz, 30% mod | (B) | 600kHz (603kHz) | L905 | Maximum amplitude and symmetry of the oscilloscope display. | |
| (4) | RF ALIGNMENT (2) | (D) 1400kHz 400Hz, 30% mod | (B) | 1400kHz (1404kHz) | TC901 | Maximum amplitude and symmetry of the oscilloscope display. | |
| (5) | IF | (D) 1000kHz 400Hz, 30% mod | (B) | 1000kHz (999kHz) | T901 | Maximum amplitude and symmetry of the oscilloscope display. | |
| Repeat alignments (3) and (4) several times. | | | | | | | |
| AM-LW SECTION Keep the AM loop antenna installed. SELECTOR: LW | | | | | | | |
| (6) | BAND EDGE (1) | - | Connect a DC voltmeter between TP903 and GND. | 153kHz | L908 | 1.5V ± 0.1V | (a) |
| (7) | BAND EDGE (2) | - | - | 281kHz | - | Confirm 5.5V ± 0.5V | (a) |
| Repeat alignments (6) and (7) several times. | | | | | | | |
| (8) | RF ALIGNMENT (1) | (D) 162kHz 400Hz, 30% mod | (B) | 162kHz | L906 | Maximum amplitude and symmetry of the oscilloscope display. | |
| (9) | RF ALIGNMENT (2) | (D) 261kHz 400Hz, 30% mod | (B) | 261kHz | TC902 | Maximum amplitude and symmetry of the oscilloscope display. | |
| Repeat alignments (8) and (9) several times. | | | | | | | |

| NO. | ITEM | INPUT SETTINGS | OUTPUT SETTINGS | CASSETTE TAPE DECK SETTINGS | ALIGNMENT POINTS | ALIGN FOR | FIG. |
|---|-----------------------|---|-----------------|--|--|--|------|
| CASSETTE DECK SECTION TAPE: NORMAL, DOLBY: OFF, INPUT: LINE 0dBs = 0.775V | | | | | | | |
| I REC/PLAY HEAD | | | | | | | |
| [1] | DEMAGNETIZATION | - | - | POWER: OFF | REC/PLAY head | Demagnetize the REC/PLAY head with a head demagnetizer. | |
| [2] | CLEANING | - | - | PLAY | REC/PLAY head erase head, capstan, pinch roller. | Clean the REC/PLAY head erase head, capstan and pinch roller using a cotton swab slightly damped with alcohol. | |
| [3] | AZIMUTH | SCC1727 MTT-114, TCC-153 10kHz, -10dB | (B) | PLAY | Azimuth adjustment screw | Maximum output. | (a) |
| II PC BOARD | | | | | | | |
| <1> | TAPE SPEED (NORMAL) | SCC1727 MTT-111, TCC-110 3kHz -4dB | (B) | PLAY | DECK A: VR701 DECK B: VR703 | Adjust the tape speed so that a 3kHz signal is produced at the center of the tape. | (b) |
| <2> | TAPE SPEED (HI SPEED) | SCC1727 MTT-111, TCC-110 3kHz -4dB | (B) | Connect TP706-1 and TP706-2 (DECK A) or TP706-2 and TP706-3 (DECK B) PLAY | DECK A: VR702 DECK B: VR704 | Adjust the tape speed so that a 5kHz signal is produced at the center of the tape. | (b) |
| <3> | PLAYBACK ** LEVEL | SCC1727 315Hz (-4dB) MTT-256 315Hz (-4dB) | (B) | PLAY | VR501(L) VR502(R) | Output level: -6.0dBm | (c) |
| <4> | BIAS CURRENT ** | (A) 1kHz, -28dBm 10kHz, -28dBm (-28dBm = 30mV) | (B) | Adjust AG output so that the SPEAKER output becomes -28dBm at 1kHz, then record and reproduce signal of 1kHz and 10kHz in alternation. | VR505(L) VR506(R) | Record 1kHz and 10kHz in alternation and adjust the variable resistors which control the bias current so that the same playback level is obtained. | (d) |
| <5> | RECORD LEVEL ** | (A) 1kHz, -8dBm (-8dBm = 310mV) | (B) | Record and reproduce a 1kHz signal under the conditions set in <4>. | VR509(L) VR510(R) | Adjust the variable resistors so that a playback level of -10dBm (240mV) is obtained. | (e) |

** Set VOLUME knob to the condition NB: MIN, GE EFFECT: OFF, AUX input: 200mV, speaker output 200mV/8Ω.

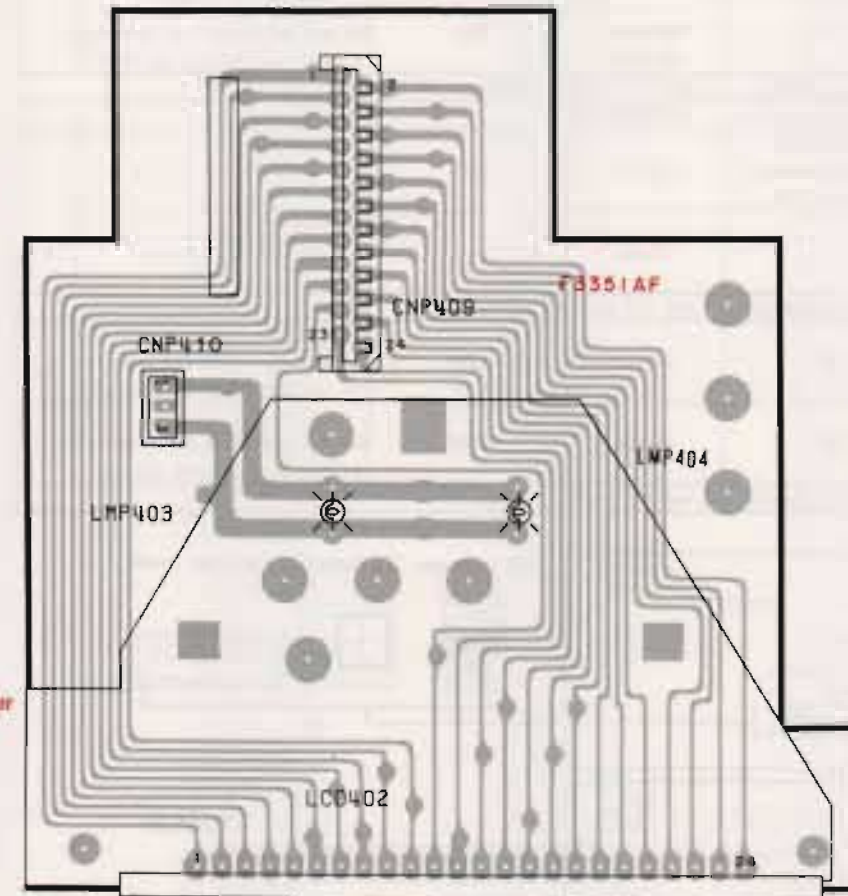
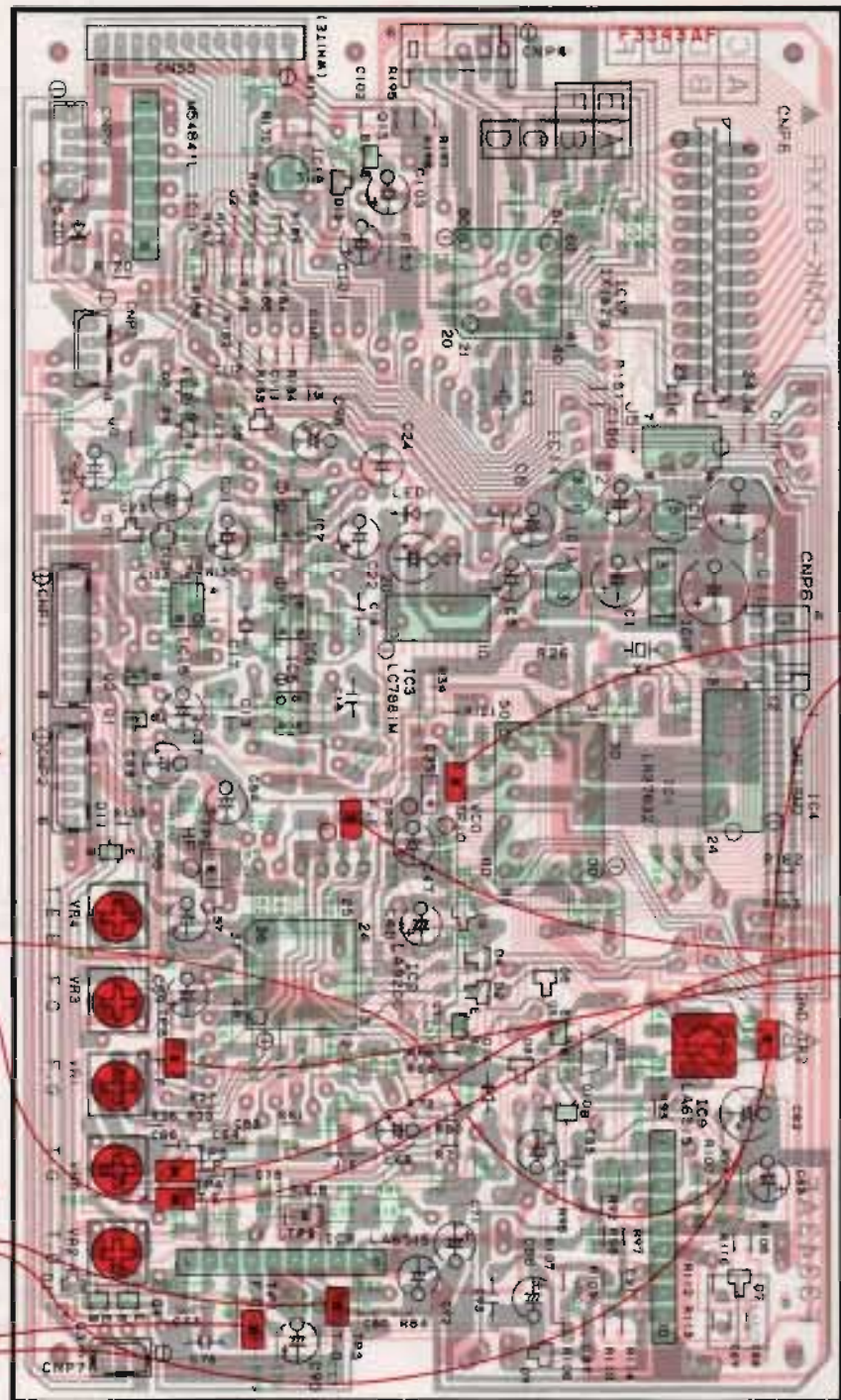
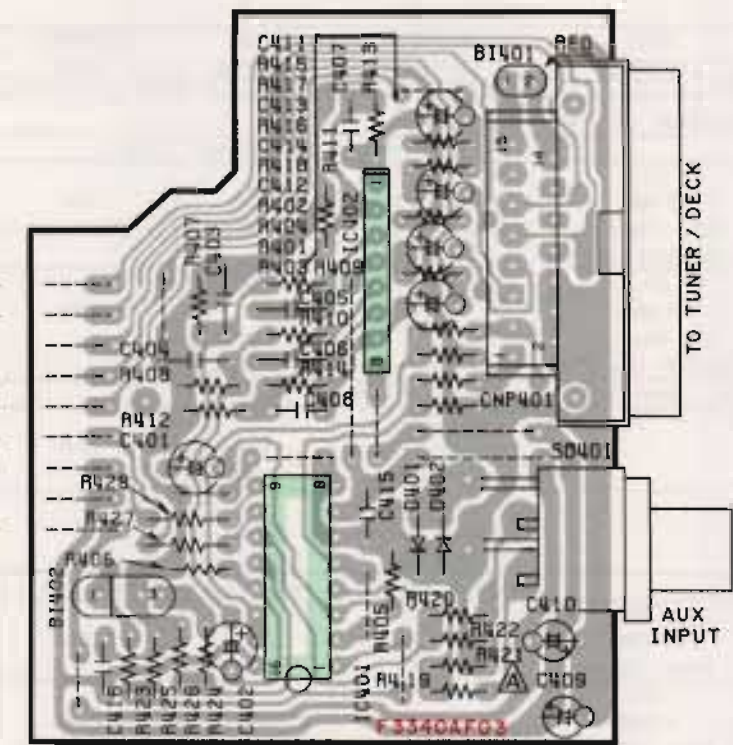
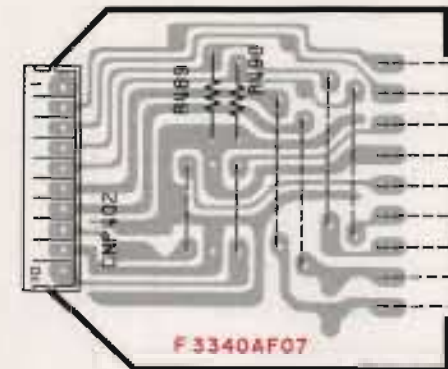
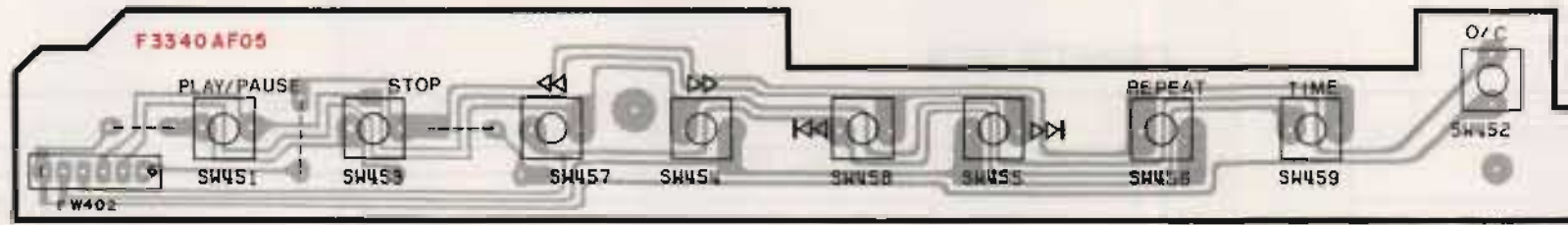


(d) How to set to record mode.



Bias Current and Record Level adjustments procedure is need to cut Jumper Wire showing figure. If end repair and check, connect cut jumper to original position.

PC BOARD (COMPONENT SIDE VIEW : A-311)

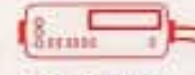


Oscilloscope
 (c) Tracking error balance : Symmetry between upper and lower patterns, at DC=0V



L.P.F

Tracking offset : $0 \pm 50mV$

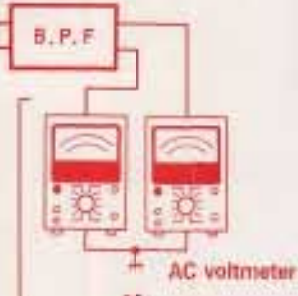


DC voltmeter

Focus offset : $0 \pm 50mV$

Frequency counter
 (d) VCO : $4.32MHz \pm 15kHz$

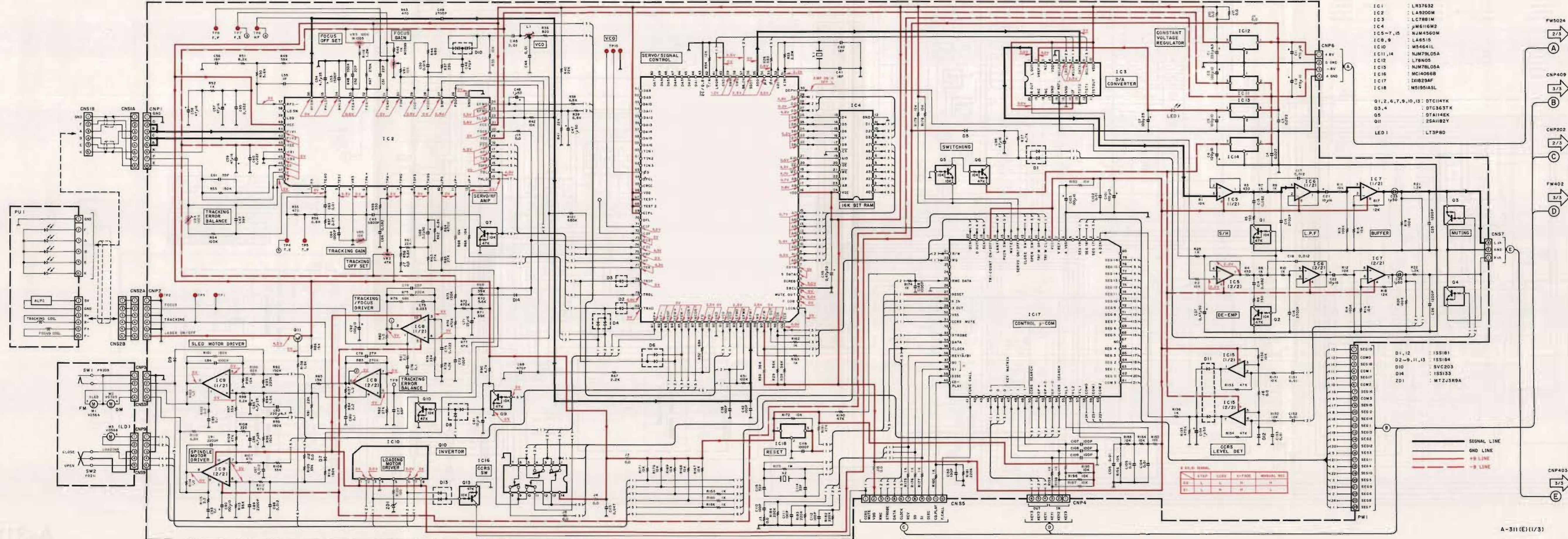
(e) Focus gain : Two VTVMs should read the same value.



Oscilloscope
 (a) Tracking gain : Two VTVMs should read the same value.

Refer to the schematic diagram for the values of resistors and capacitors.

CD SERVO UNIT



- IC 1 : LR37632
- IC 2 : LA9200M
- IC 3 : LC7881M
- IC 4 : NJM6116M2
- IC 5-7, 15 : LA6515
- IC 8, 9 : M54641L
- IC 10 : NJM79L05A
- IC 11, 14 : L78N05
- IC 12 : NJM78L05A
- IC 13 : MCI4066B
- IC 16 : IX1829AF
- IC 17 : M51951ASL
- IC 18 : M51951ASL

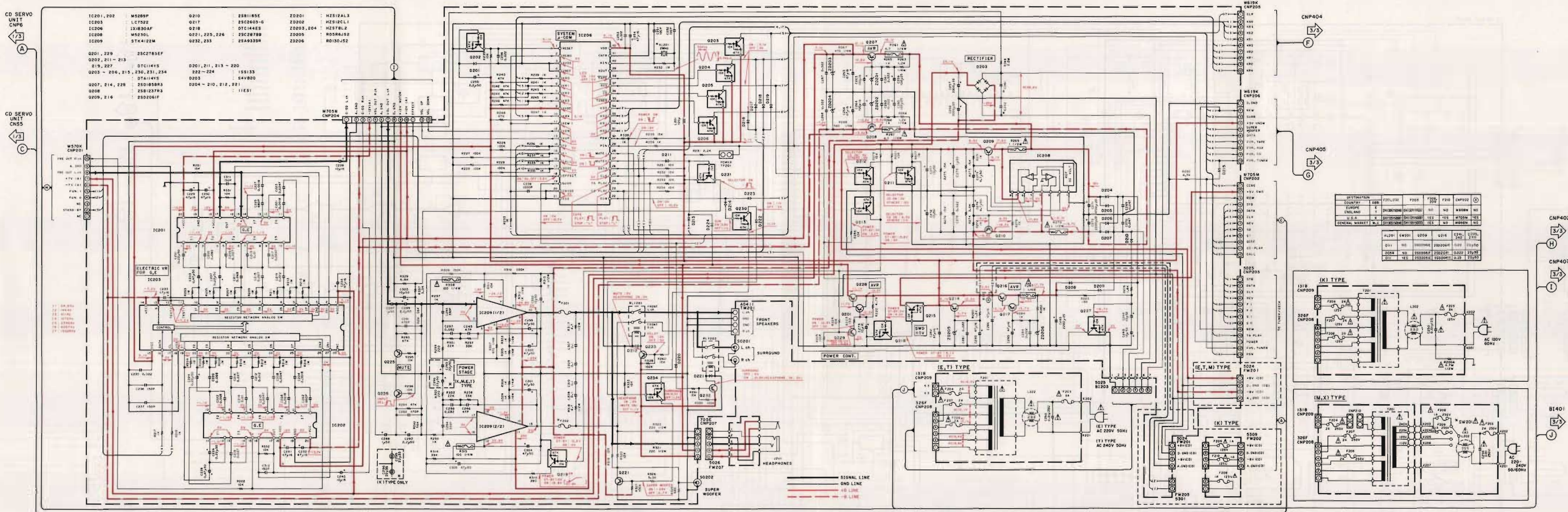
- Q1, 2, 6, 7, 9, 10, 13 : DTC114YK
- Q3, 4 : DTC363TK
- Q5 : DT114EK
- Q11 : 2SA1182Y
- LED 1 : LT3P80

- D1, 12 : ISS181
- D2-9, 11, 13 : ISS184
- D10 : SVC203
- D14 : ISS133
- ZD1 : MTZJ3R9A



* DC voltages are as measured with a high impedance voltmeter. Values may vary slightly due to variations between individual instruments and/or units.

CAUTION: For continued safety, replace safety critical components only with manufacturer's recommended parts (refer to parts list). ⚡ indicates safety critical components. To reduce the risk of electric shock, leakage-current or resistance measurements shall be carried out (exposed parts are acceptably insulated from the supply circuit) before the appliance is returned to the customer.

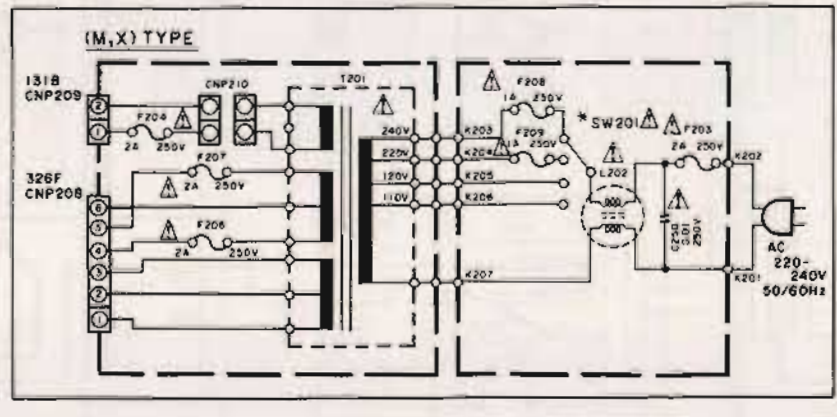
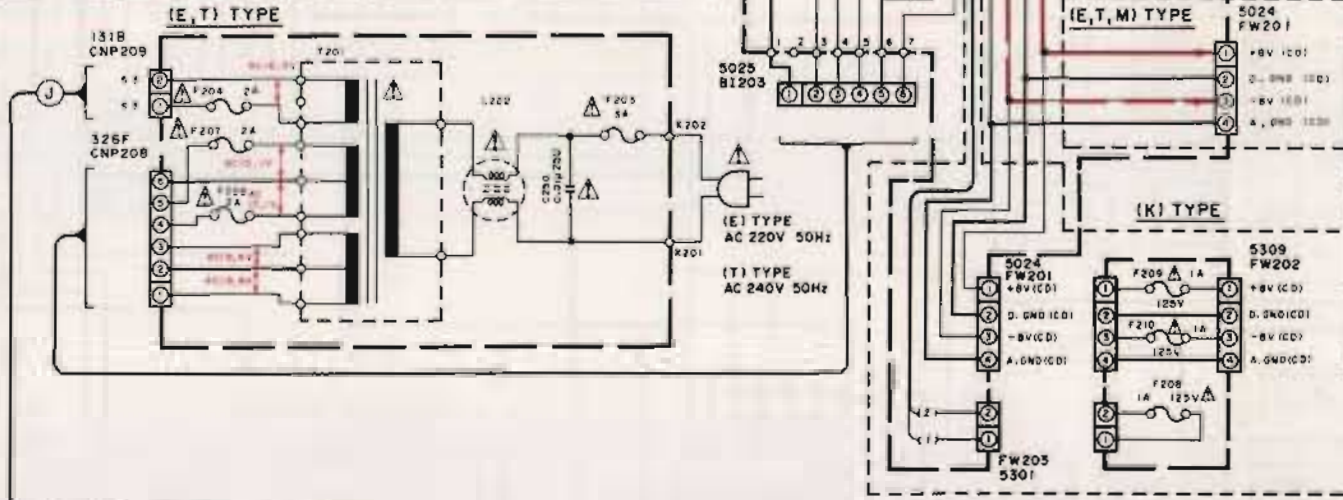
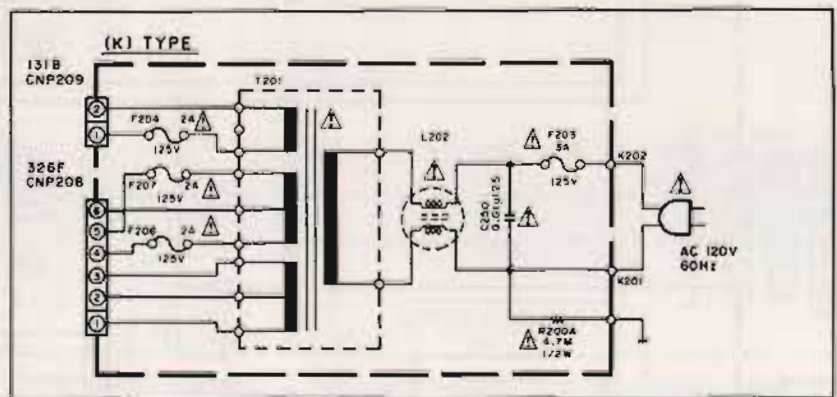


| | | | | | |
|------------|----------|----------------|-----------|------------|----------|
| IC201, 202 | M5289P | Q210 | Z8B1185E | ZD201 | HZS12AL3 |
| IC203 | L7522 | Q217 | Z5C2603-G | ZD202 | HZS12CL1 |
| IC206 | IX1830AF | Q218 | DT144ES | ZD203, 204 | HZS78L2 |
| IC208 | M5230L | Q221, 225, 226 | Z5C2878B | ZD205 | RD5R6J52 |
| IC209 | STK4122M | Q232, 233 | Z5A9335R | ZD206 | RO130J52 |

| | | | |
|--------------------------------|-----------|----------------------|--------|
| Q201, 229 | Z5C2785EF | Q201, 211, 213 - 220 | 1S5133 |
| Q202, 211 - 213 | | 222 - 224 | 1S5133 |
| 219, 227 | DT114YS | 225 | 3AVB20 |
| Q203 - 206, 215, 230, 231, 234 | | 226 - 228 | 1S5133 |
| Q204 - 210, 212, 221 | | 229 | 1S5133 |
| Q207, 214, 228 | Z5D1858R3 | | |
| Q208 | Z5B1237R3 | | |
| Q209, 216 | Z5D2061F | | |

| DESTINATION | FEELING | FOUR | FIVE | FIVE | CNP202 |
|----------------|---------|------------|------------|------|--------|
| COUNTRY | ABB | | | | |
| ENGLAND | E | SH13015008 | SH13015009 | NO | NO |
| U.S.A. | K | SH13015007 | SH13015002 | YES | YES |
| GENERAL MARKET | M.L. | SH13015006 | SH13015003 | YES | NO |

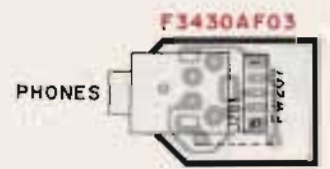
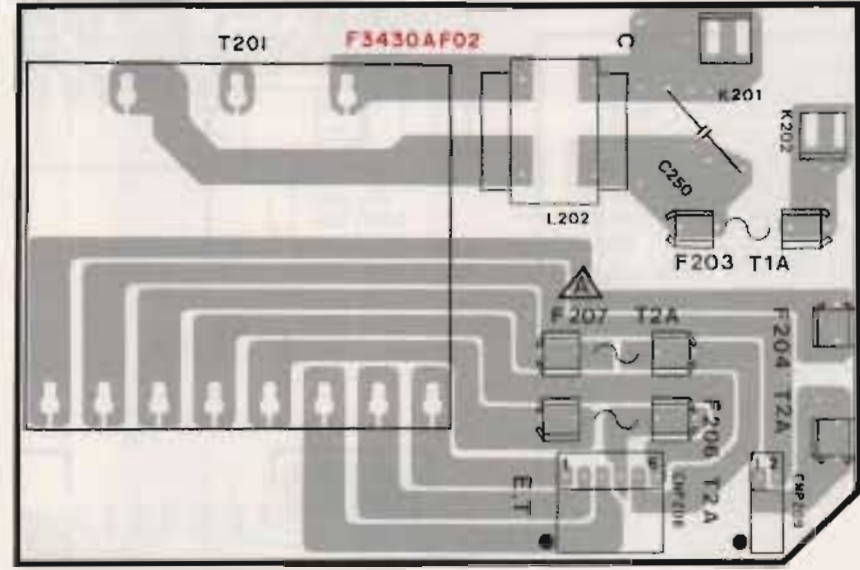
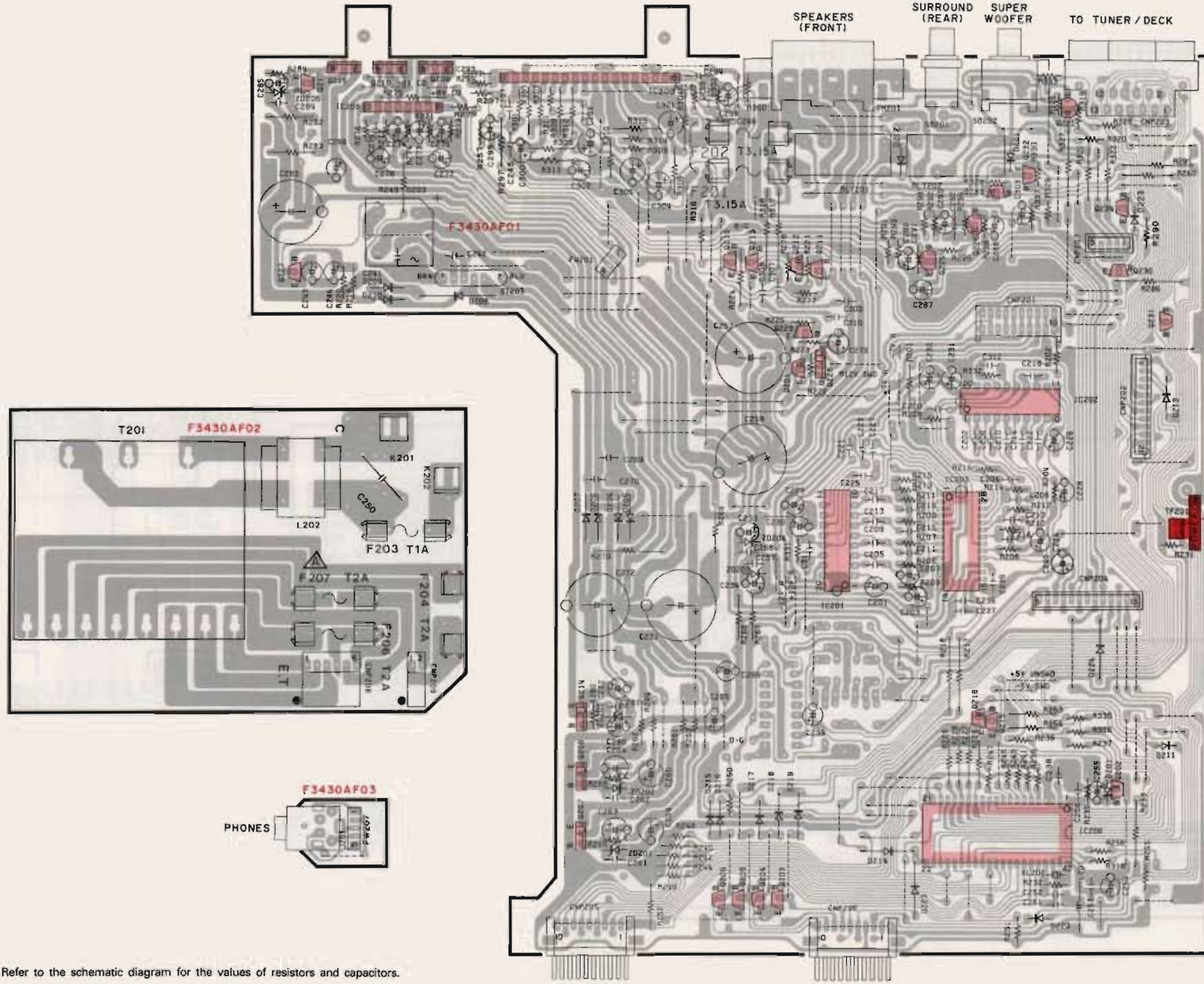
| KL201 | SW201 | Q209 | Q216 | C241 | C242 | C243 | C244 |
|-------|-------|----------|----------|-------|------|-------|------|
| OH1 | NO | 3802000K | Z5D2061F | 0.022 | 220P | 0.022 | 220P |
| OH8 | NO | Z5D2061F | Z5D2061F | 0.022 | 220P | 0.022 | 220P |
| OH11 | YES | Z5D2061F | Z5D2061F | 0.022 | 220P | 0.022 | 220P |



• DC voltages are as measured with a high impedance voltmeter. Values may vary slightly due to variations between individual instruments and units.

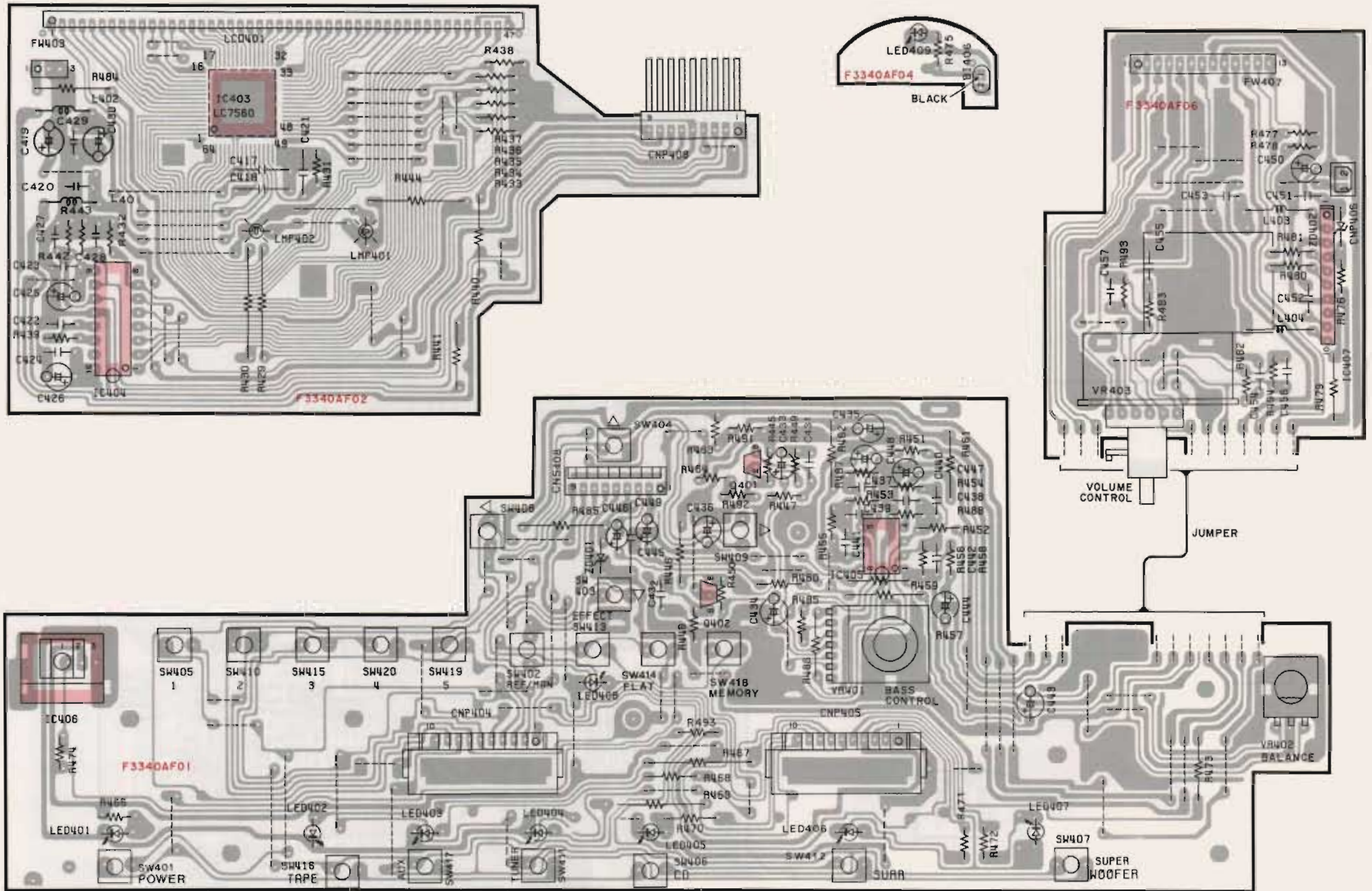
CAUTION: For continued safety, replace safety critical components only with manufacturer's recommended parts (refer to parts list). ⚡ indicates safety critical components. To reduce the risk of electric shock, leakage-current or resistance measurements shall be carried out (exposed parts are acceptably insulated from the supply circuit) before the appliance is returned to the customer.

PC BOARD (COMPONENT SIDE VIEW : A-311)

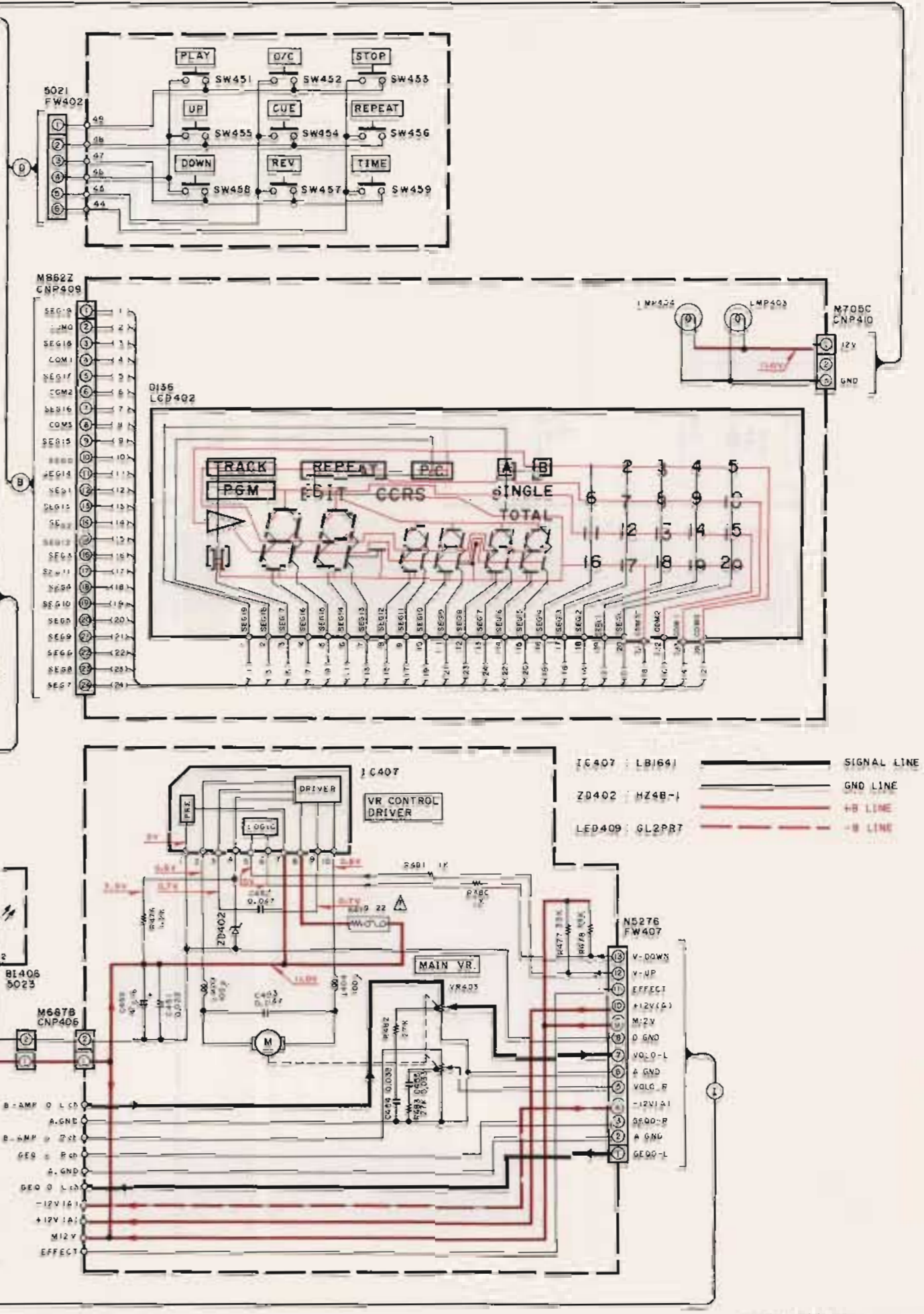
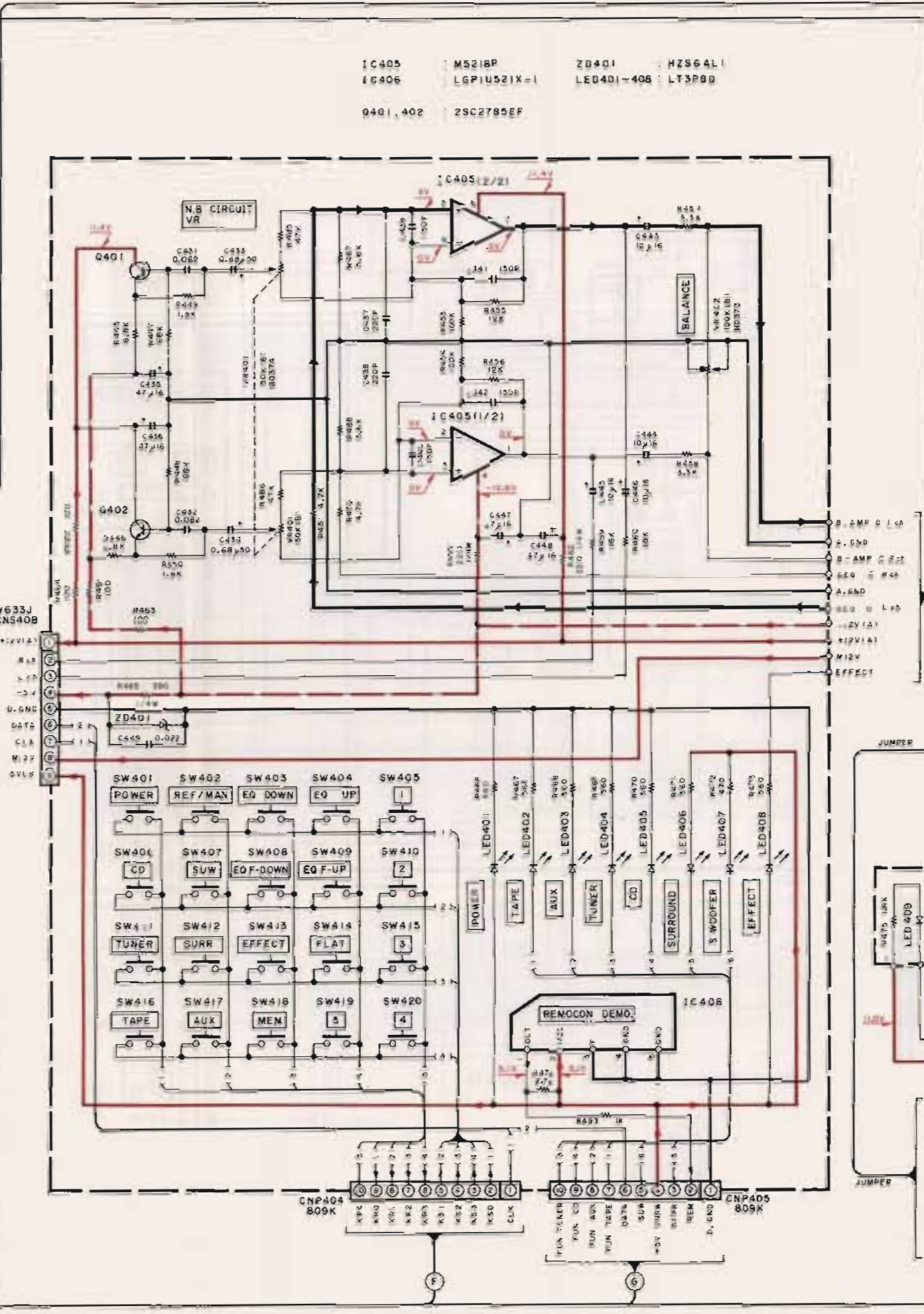
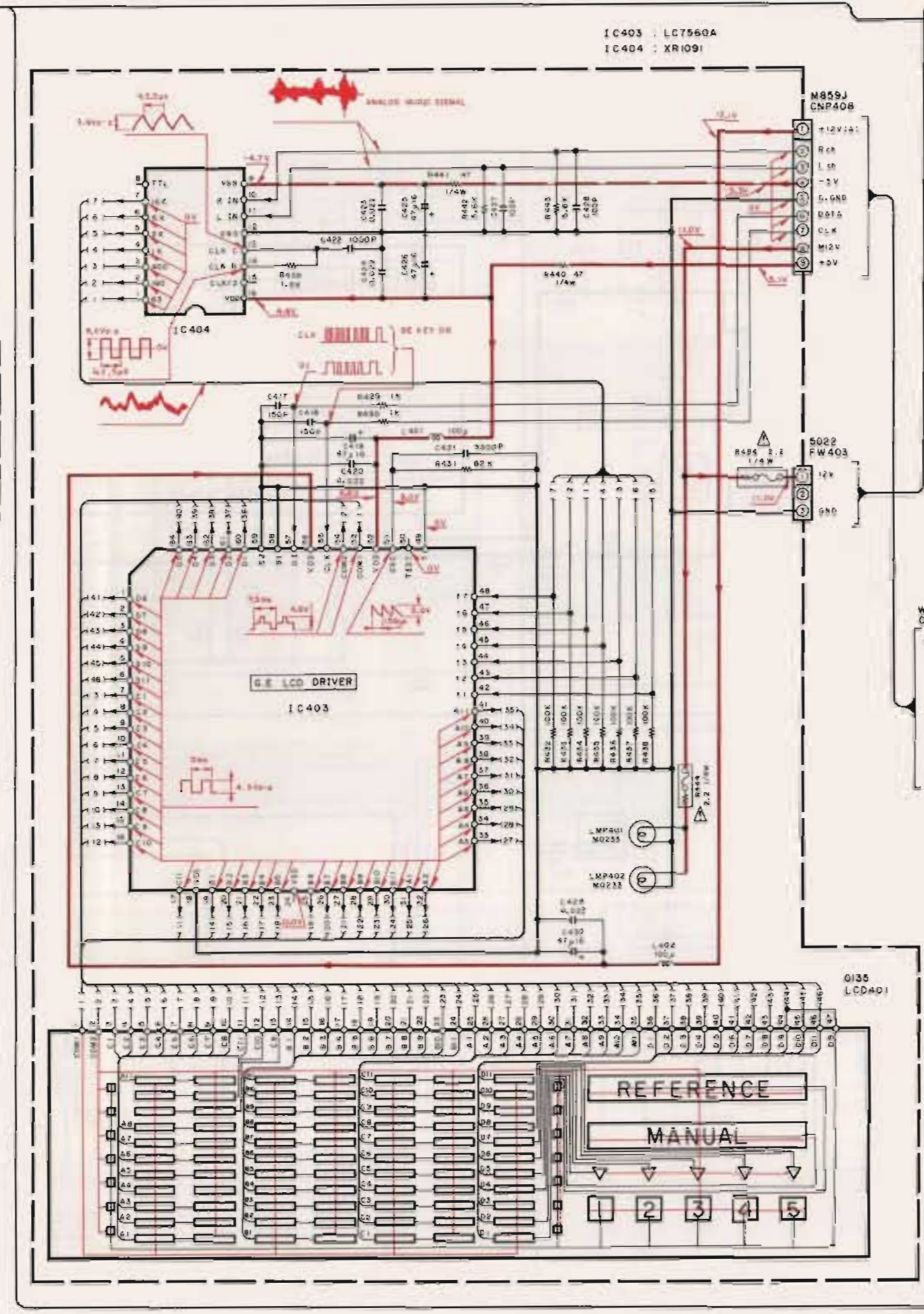
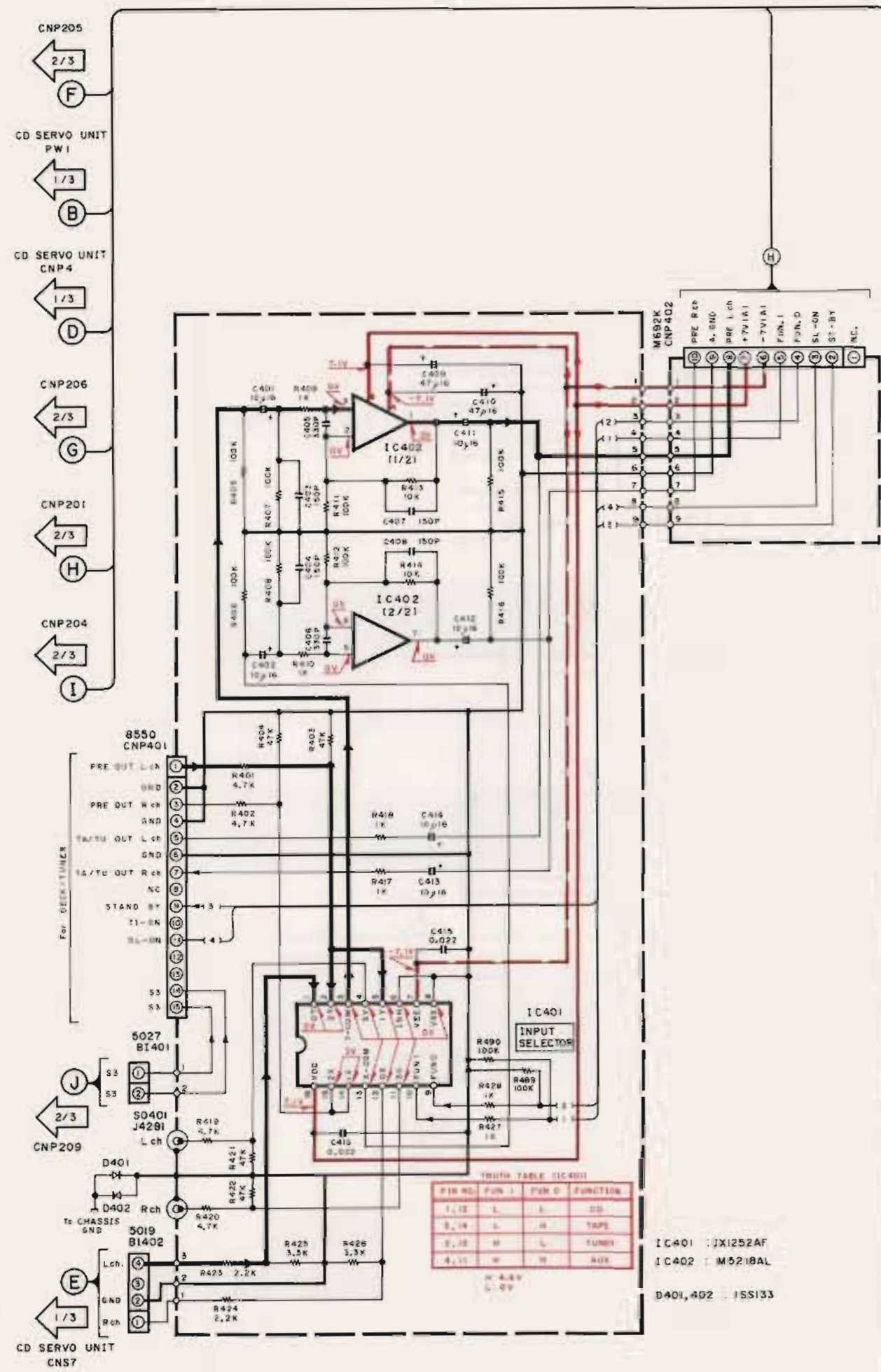


Refer to the schematic diagram for the values of resistors and capacitors.

PC BOARD (COMPONENT SIDE VIEW : A-311)

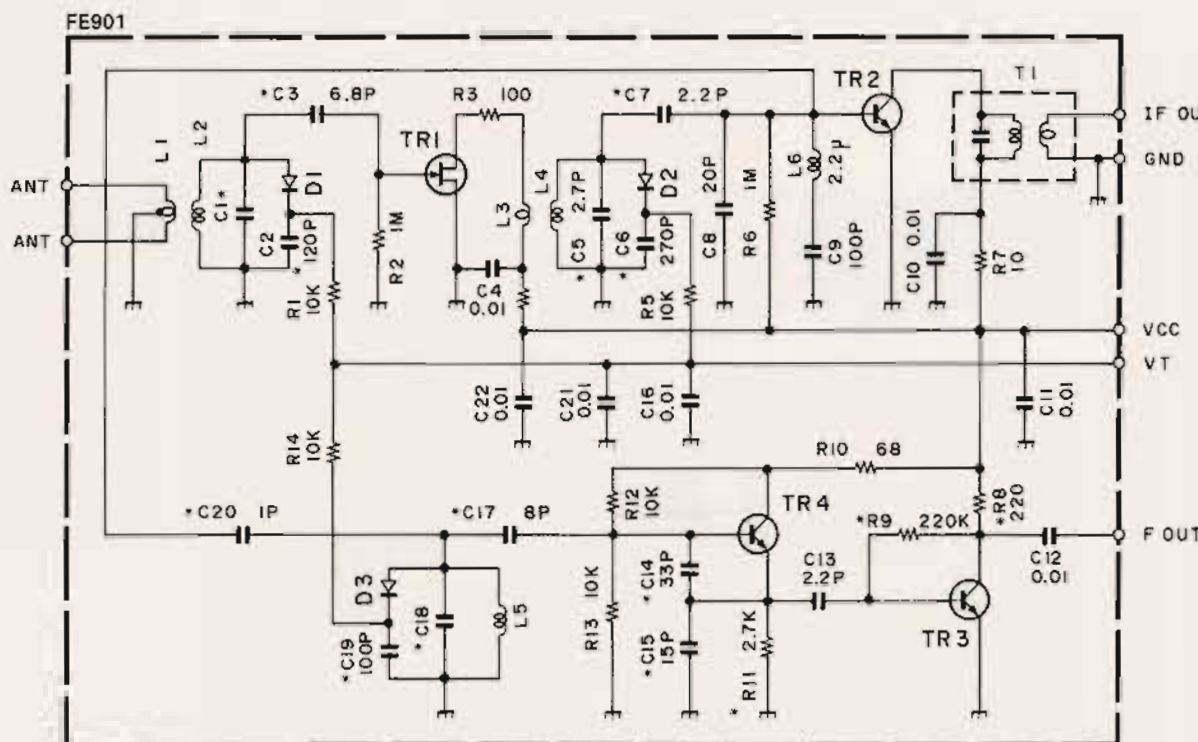


Refer to the schematic diagram for the values of resistors and capacitors.

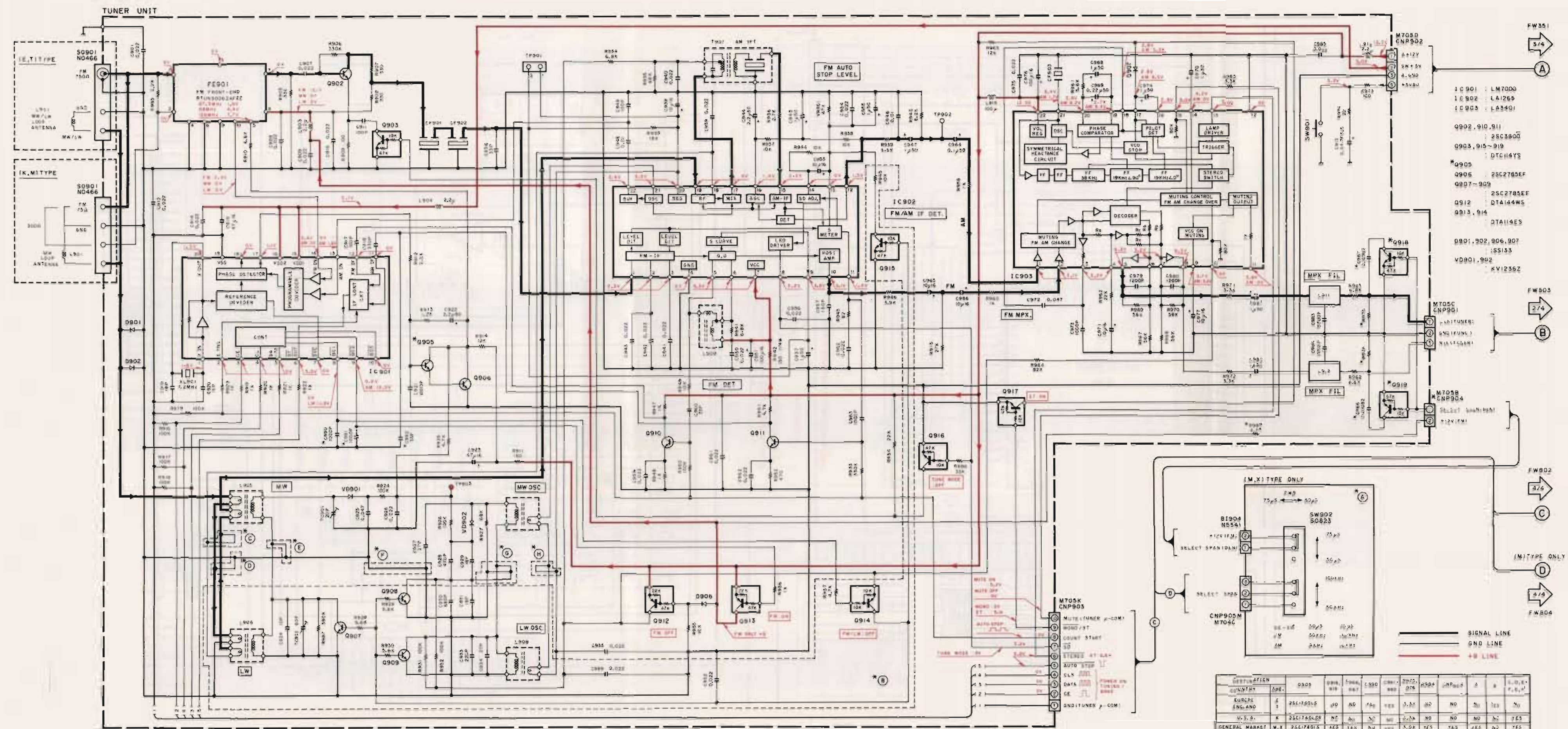


• DC voltages are as measured with a high impedance voltmeter. Values may vary slightly due to variations between individual instruments and units.

CAUTION: For continued safety, replace safety critical components only with manufacturer's recommended parts (refer to parts list). ⚡ indicates safety critical components. To reduce the risk of electric shock, leakage-current or resistance measurements shall be carried out on exposed parts are acceptably insulated from the supply circuit before the appliance is returned to the customer.



TR1 : 2SK439 or 2SK241
 TR2,3 : 2SC3391
 TR4 : 2SC3494
 D1-3 : AN12K-00
 * Adjusted value.

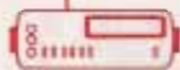
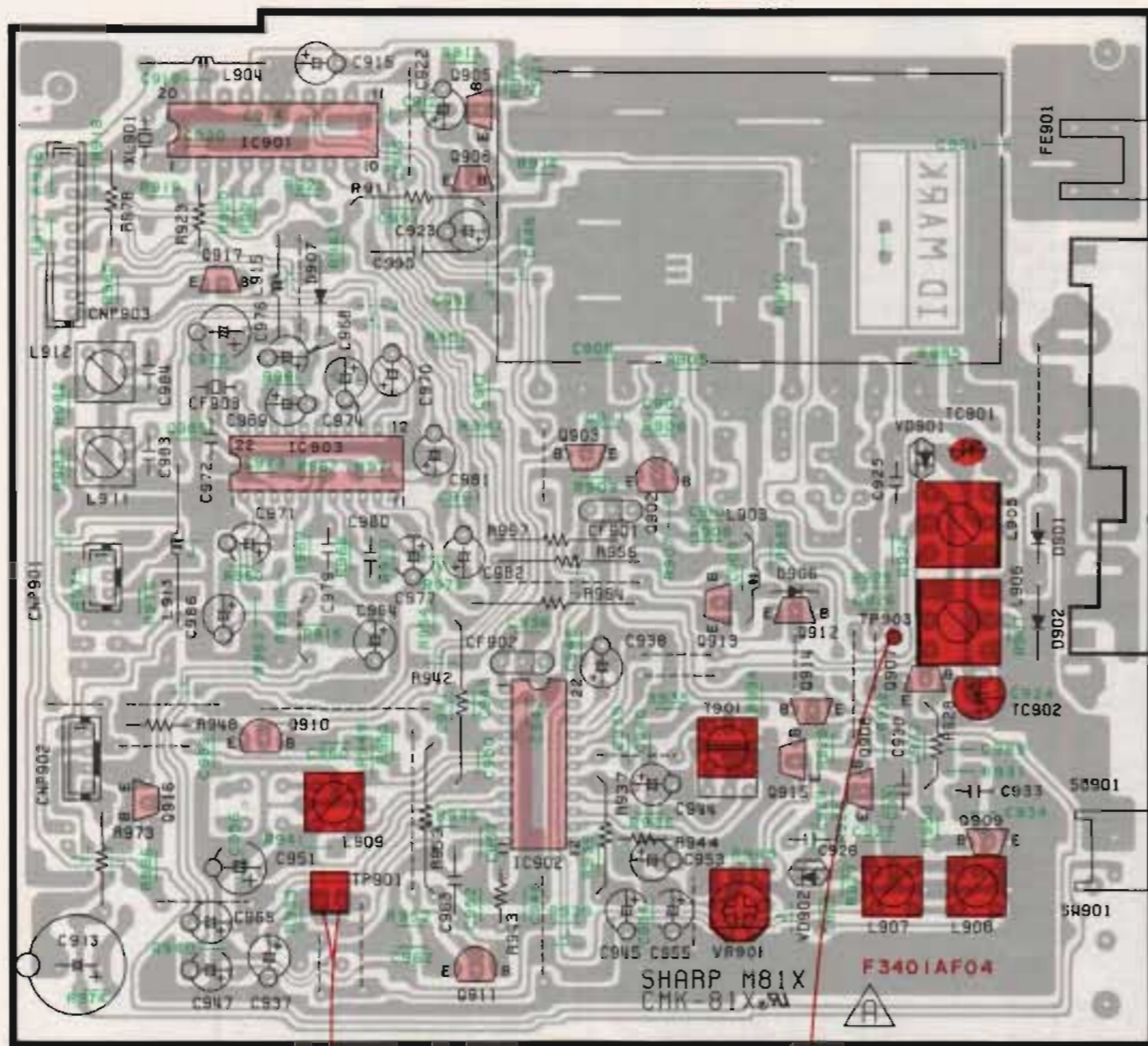


| DESTINATION | COUNTRY | AMP. | Q901 | Q902 | Q903 | Q904 | Q905 | Q906 | Q907 | Q908 | Q909 | Q910 | Q911 | Q912 | Q913 | Q914 | Q915 | Q916 | Q917 | Q918 | Q919 | D1 | D2 | D3 | TR1 | TR2 | TR3 | TR4 | SW |
|----------------|---------|-----------|------|------|------|------|------|------|------|------|------|------|------|------|------|------|------|------|------|------|------|----|----|----|-----|-----|-----|-----|----|
| U.S.A. | K | 25C17A01S | NO | NO | NO | NO | NO | NO | NO | NO | NO | NO | NO | NO | NO | NO | NO | NO | NO | NO | NO | NO | NO | NO | NO | NO | NO | NO | NO |
| GENERAL MARKET | M.X | 25C17A01S | YES | YES | NO | NO | NO | NO | NO | NO | NO | NO | NO | NO | NO | NO | NO | NO | NO | NO | NO | NO | NO | NO | NO | NO | NO | NO | NO |

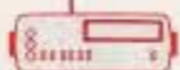
• DC voltages are as measured with a high impedance voltmeter. Values may vary slightly due to variations between individual instruments or/and units.

CAUTION : For continued safety, replace safety critical components only with manufacturer's recommended parts (refer to parts list). * Indicates safety critical components. To reduce the risk of electric shock, leakage-current or resistance measurements shall be carried out (exposed parts are acceptably insulated from the supply circuit) before the appliance is returned to the customer.

PC BOARD (COMPONENT SIDE VIEW : X-311)



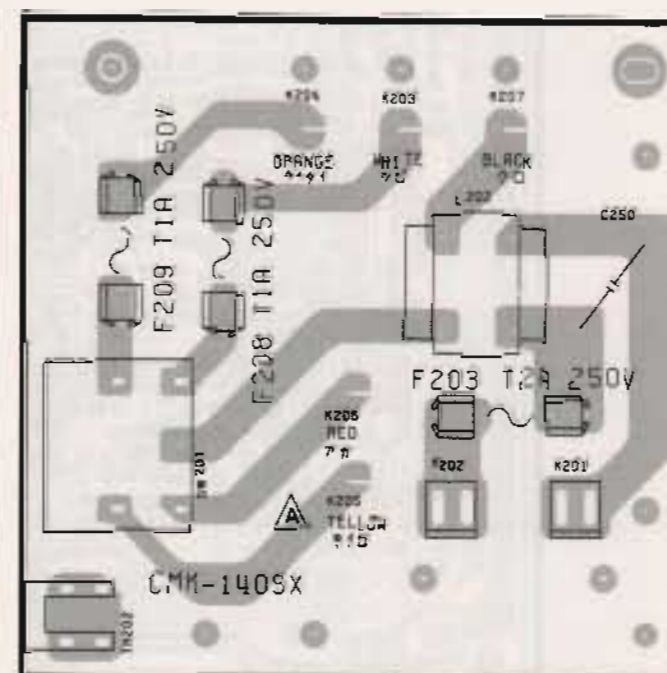
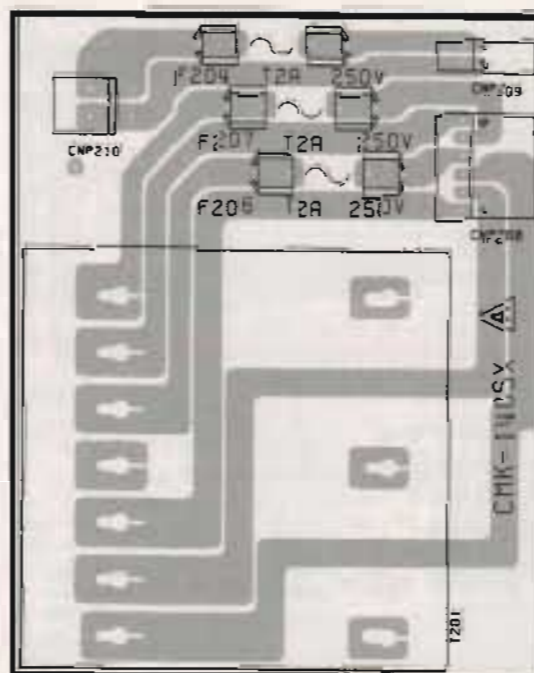
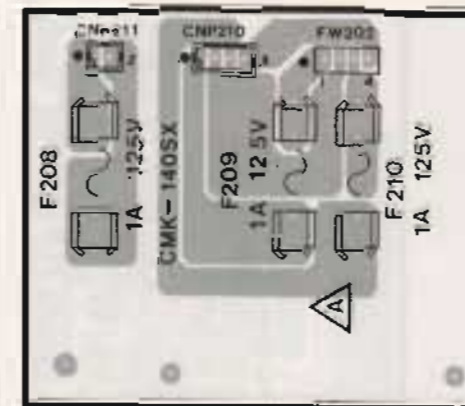
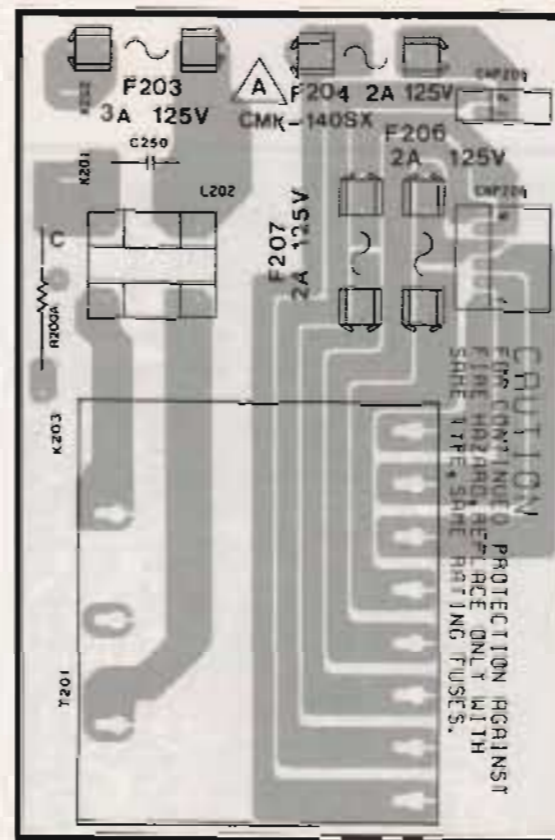
DC voltmeter
(b) Discriminator : 0V



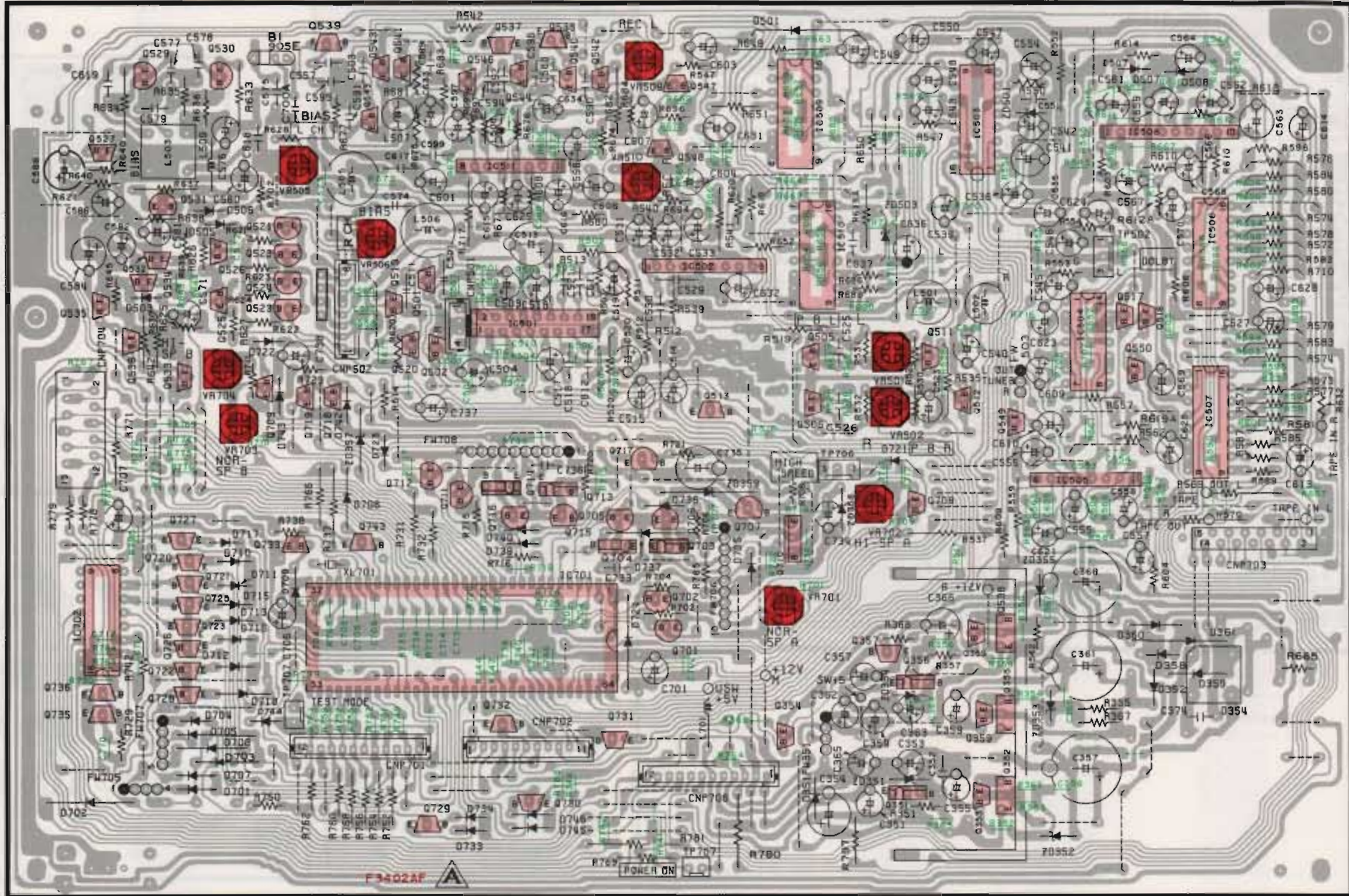
DC voltmeter
(a) Band edge (1) : $1.1V \pm 0.1V$
(a) Band edge (2) : Confirm $7.4V \pm 0.8V$

Refer to the schematic diagram for the values of resistors and capacitors.

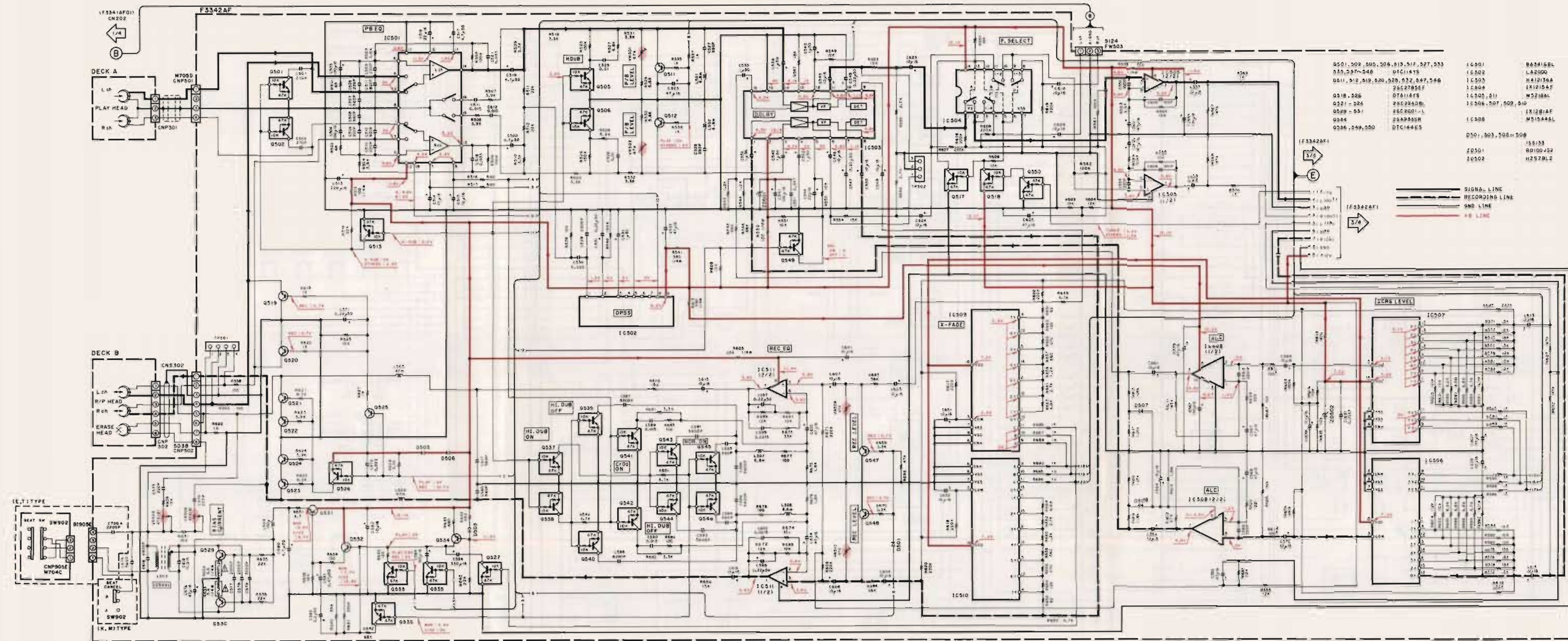
ANTENNA



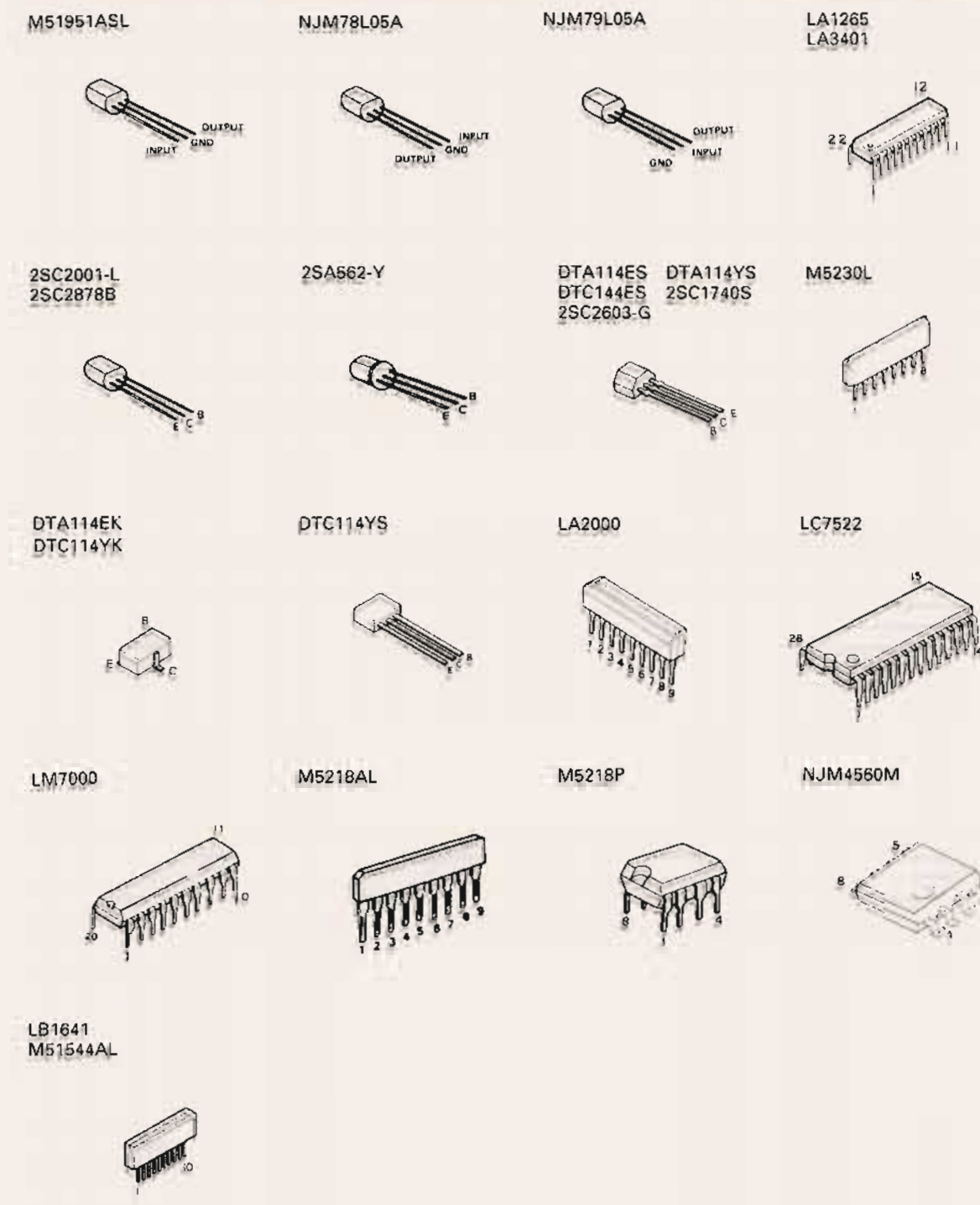
PC BOARD (COMPONENT SIDE VIEW : X-311)



Refer to the schematic diagram for the values of resistors and capacitors.

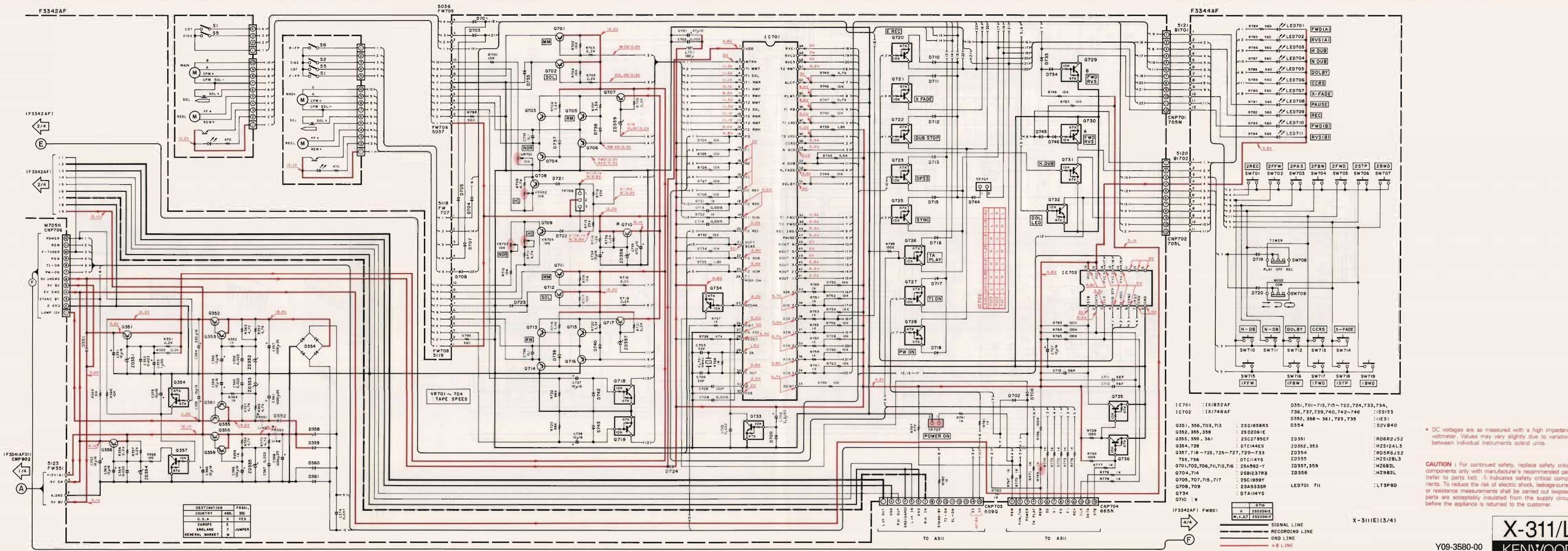


X-311(E112/4)



* DC voltages are as measured with a high impedance voltmeter. Values may vary slightly due to variations between individual instruments and units.

CAUTION: For continued safety, replace safety critical components only with manufacturer's recommended parts (refer to parts list). ⚡ indicates safety critical components. To reduce the risk of electric shock, leakage-current or resistance measurements shall be carried out (leaded parts are acceptably insulated from the supply circuit) before the appliance is returned to the customer.

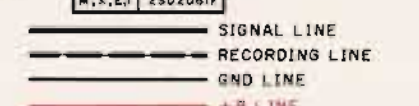


| DESTINATION | FR351 |
|----------------|----------|
| COUNTRY | ABB. 350 |
| U.S.A. | K YES |
| EUROPE | E I |
| ENGLAND | F I |
| GENERAL MARKET | M JUMPER |

- | | | | | |
|-------|------------|--|-------------|--------------|
| IC701 | : IX1832AF | D351, 701~713, 715~722, 724, 733, 734, | : 2SD1658R3 | : RD6R2J52 |
| IC702 | : IX1748AF | 736, 737, 739, 740, 742~746 | : 2SD2061E | : HZS12AL3 |
| | | | : 2SC2785EF | : R05R6J52 |
| | | | : DTC144ES | : HZS12BL3 |
| | | | : DTC114YS | : 2D355 |
| | | | : 2SA562-Y | : 2D357, 359 |
| | | | : 2S81237R | : 2D358 |
| | | | : 2SC1959Y | |
| | | | : 2SA9335R | LED701 711 |
| | | | : DTA114YS | : LT3P8D |
| | | | | |

• DC voltages are as measured with a high impedance voltmeter. Values may vary slightly due to variations between individual instruments and units.

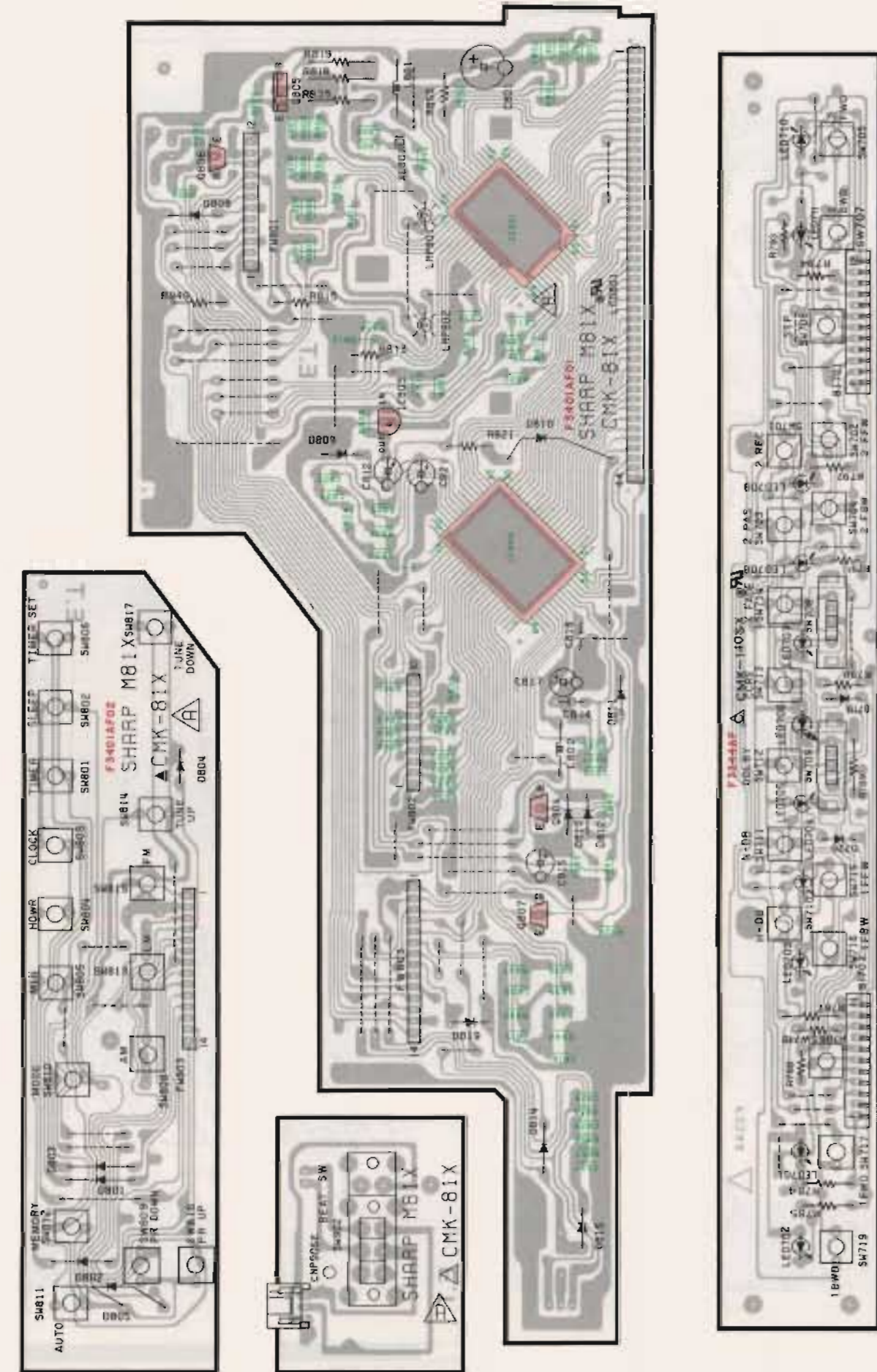
CAUTION: For continued safety, replace safety critical components only with manufacturer's recommended parts (refer to parts list). * indicates safety critical components. To reduce the risk of electric shock, leakage-current or resistance measurements shall be carried out (exposed parts are acceptably insulated from the supply circuit) before the appliance is returned to the customer.



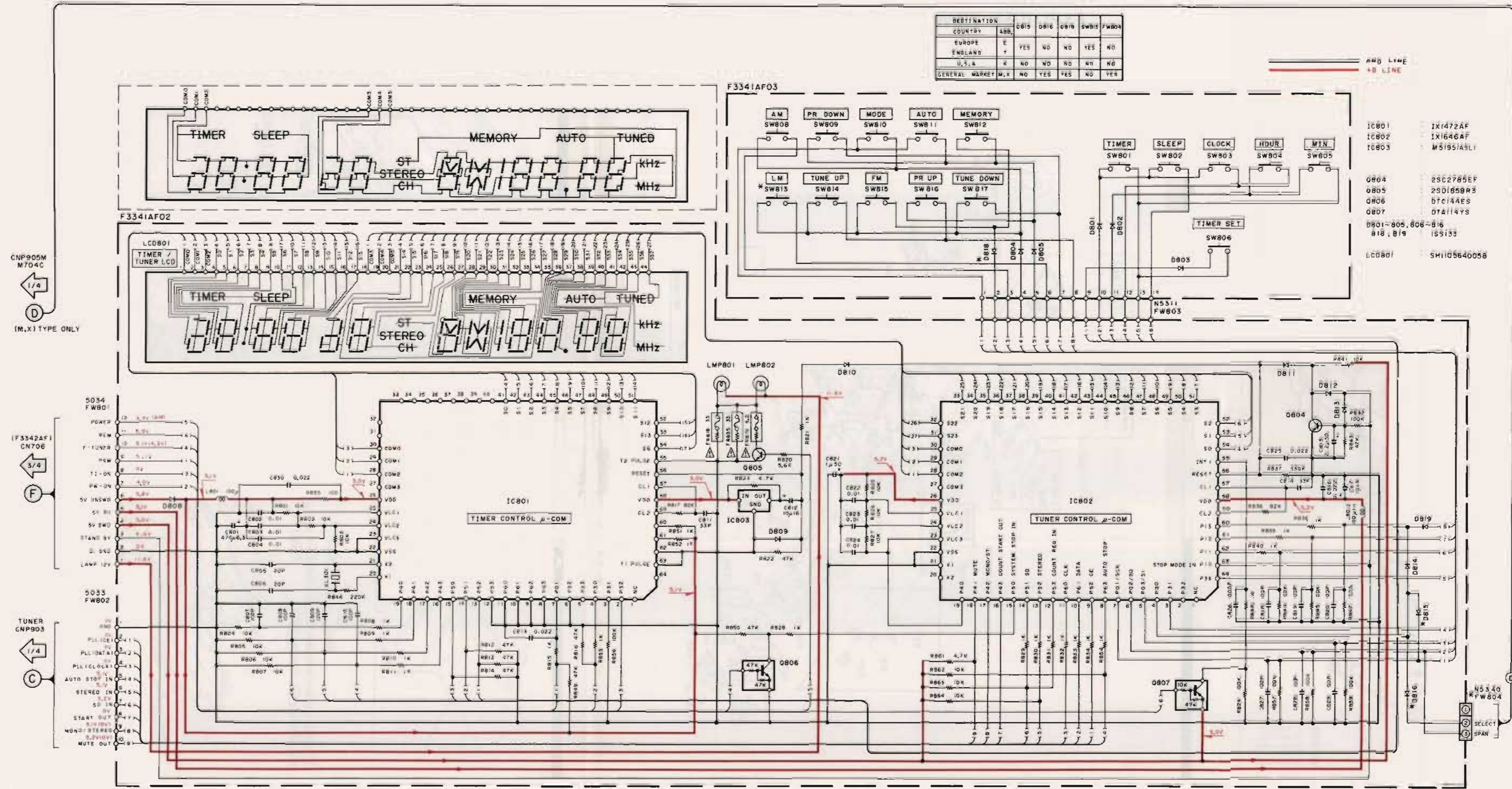
X-311/L
KENWOOD

Y09-3580-00

PC BOARD (COMPONENT SIDE VIEW : X-311)



Refer to the schematic diagram for the values of resistors and capacitors.



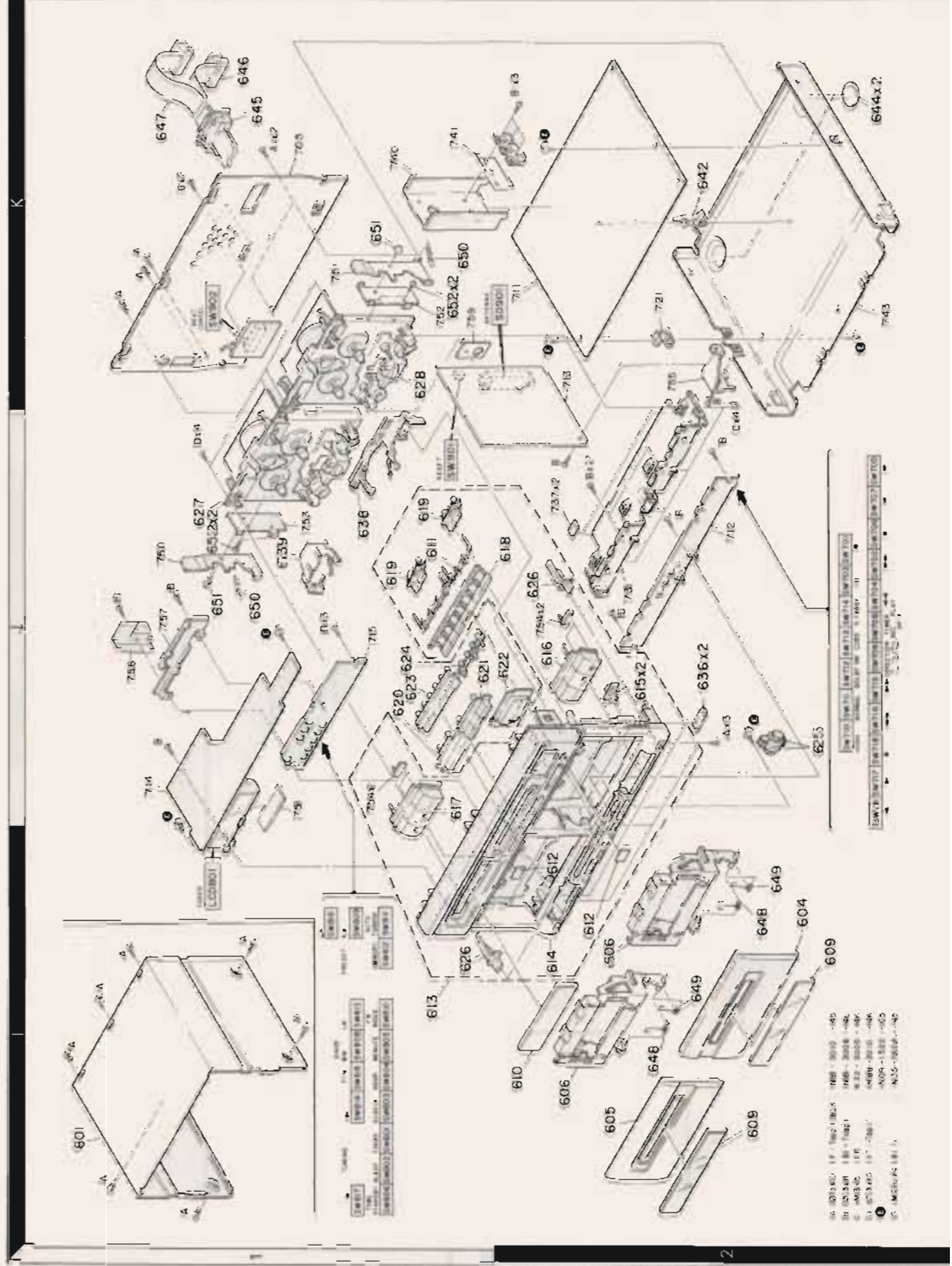
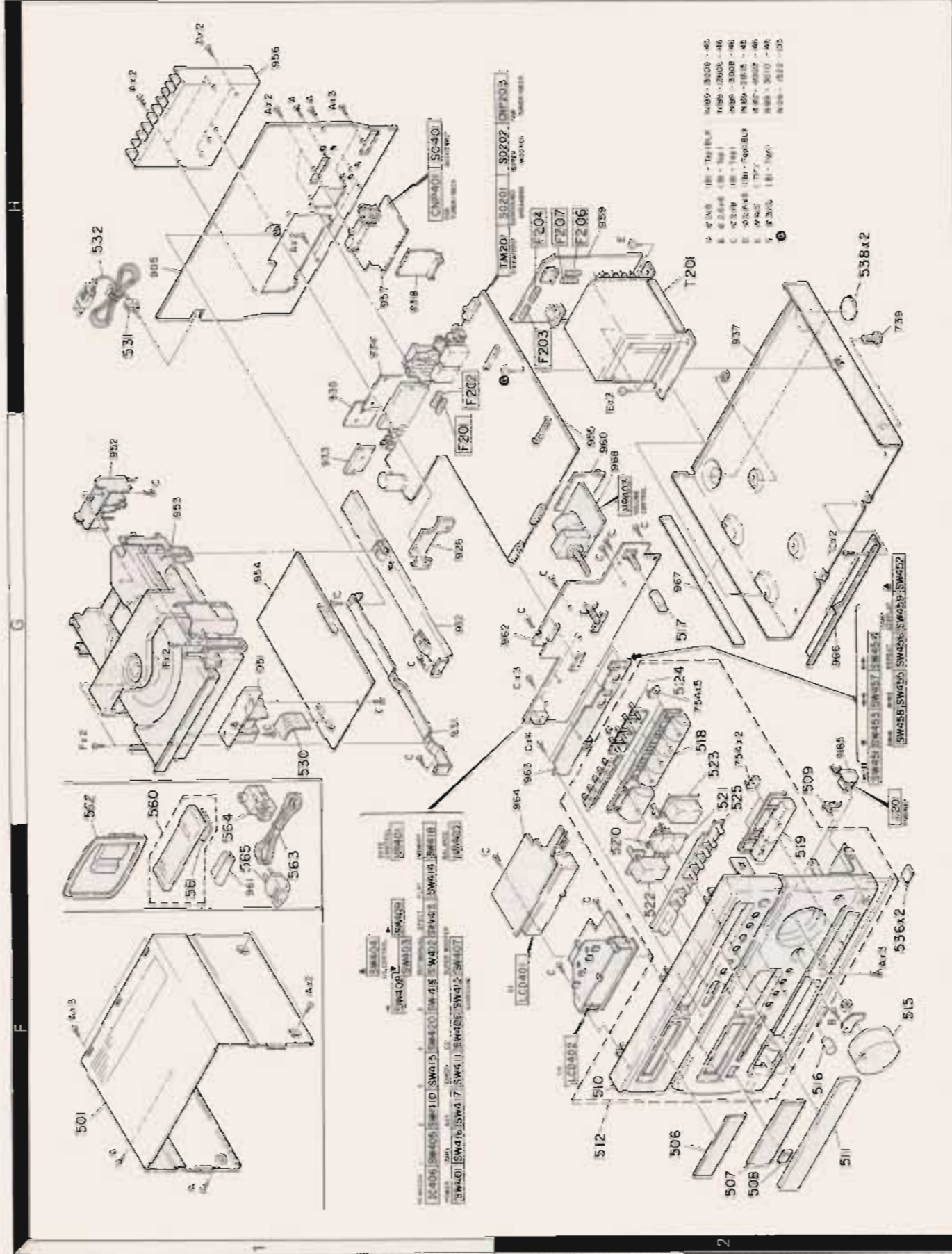
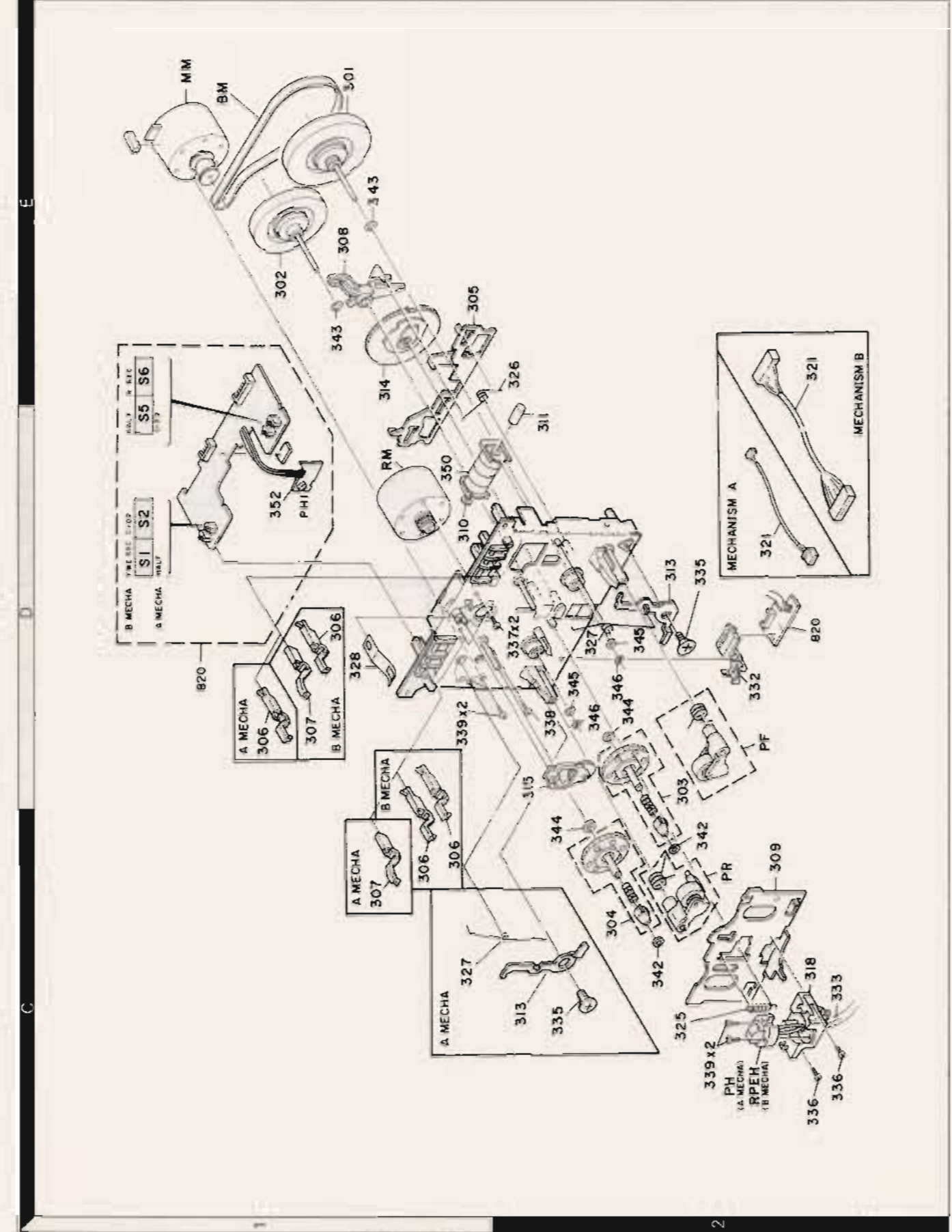
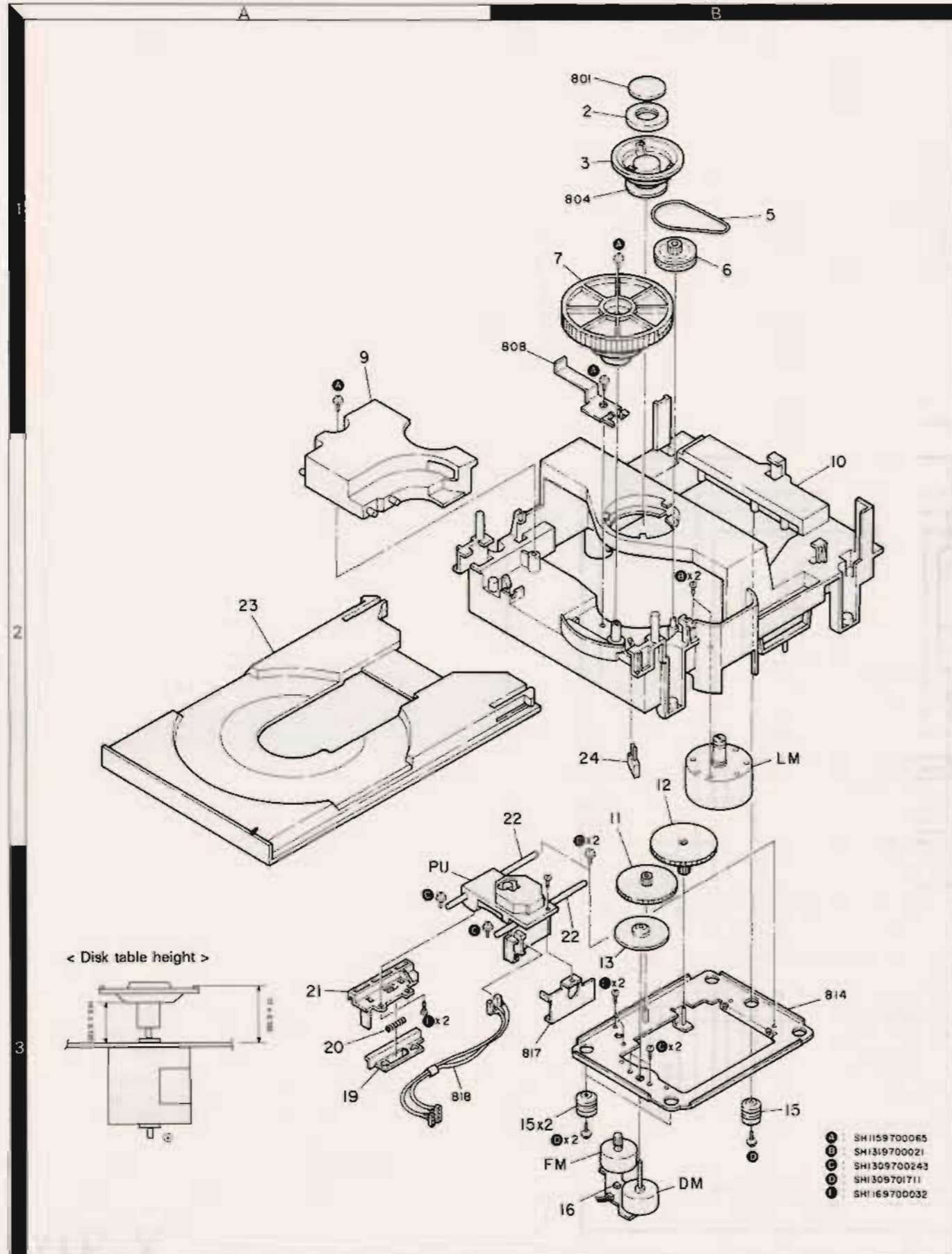
| DESTINATION | ARR. | DB15 | DB16 | DB18 | SWB15 | FWB04 |
|----------------|------|------|------|------|-------|-------|
| COUNTRY | | | | | | |
| EUROPE | E | YES | NO | NO | YES | NO |
| ENGLAND | T | | | | | |
| U.S. & | K | NO | NO | NO | NO | NO |
| GENERAL MARKET | M, X | NO | YES | YES | NO | YES |

- IC801 1X1472AF
- IC802 1X1646AF
- IC803 M51951ASLI
- OB04 25C2785EF
- OB05 2SD1658R3
- OB06 B7C144ES
- OB07 DT114YS
- DB01-DB05, DB08-DB16 ISS133
- DB18, DB19 ISS133
- LCDB01 SH1105640058

* DC voltages are as measured with a high impedance voltmeter. Values may vary slightly due to variations between individual instruments or/and units.

CAUTION: For continued safety, replace safety critical components only with manufacturer's recommended parts (refer to parts list). ⚡ indicates safety critical components. To reduce the risk of electric shock, leakage-current or resistance measurements shall be carried out (exposed parts are acceptably insulated from the supply circuit) before the appliance is returned to the customer.

X-311/L
KENWOOD



PARTS LIST

* New Parts
 Parts without Parts No. are not supplied.
 Les articles non mentionnés dans le Parts No. ne sont pas fournis.
 Teile ohne Parts No. werden nicht geliefert.

| Ref. No. 参照番号 | Address 位置 | New Parts 部品番号 | Parts No. 部品番号 | Description 部品名 / 規格 | Desti- nation 仕 | Re- marks 向 |
|------------------|---------------|-------------------|-------------------|---------------------------------|-----------------------|-------------------|
| 621 | 1J | * | SH1101741102 | KNØB (BAND) | | ET |
| 621 | 1J | * | SH1101741142 | KNØB (BAND) | | KMX |
| 622 | 2J | * | SH1101741103 | KNØB (PRESET) | | |
| 623 | 1J | * | SH1101741104 | KNØB (TIMER) | | |
| 624 | 1J | * | SH1101741141 | KNØB (MØDE) | | |
| 625 | 2J | * | SH1302500023 | DAMPER | | |
| 626 | 1J | * | SH1101741106 | KNØB (EJECT) | | |
| 627 | 1J | * | SH1101850012 | MECHANISM ASSY (T1,PLAYBACK) | | |
| 628 | 1K | * | SH1101850013 | MECHANISM ASSY (T2,REC.PLAY) | | |
| 636 | 2J | * | SH1123400039 | FOØT (FRONT, FELT) | | |
| 638 | 1J | * | SH1102520007 | T2 CASSETTE LOCK | | |
| 639 | 1J | * | SH1102520006 | T1 CASSETTE LOCK | | |
| 642 | 2K | * | SH1102140337 | DECK PWB | | |
| 644 | 1K | * | SH1163400025 | FOØT (BACK, FELT) | | |
| 645 | 1K | * | SH1102040087 | STØPPER | | |
| 646 | 1K | * | SH1105121737 | 13 PIN CONNECTOR(WHITE) | | |
| 647 | 1K | * | SH1105121736 | 15 PIN CONNECTOR(RED) | | |
| 648 | 2I | * | SH1102580733 | CASSETTE UP SPRING L | | |
| 649 | 2I | * | SH1102580734 | CASSETTE UP SPRING R | | |
| 650 | 1J, 1K | * | SH1202580393 | SPRING | | |
| 651 | 1J, 1K | * | SH1209700096 | SCREW (EJECT LEVER) | | |
| 652 | 1J, 1K | * | SH1209700096 | SCREW | | |
| - | - | - | B46-0092-03 | WARRANTY CARD | | K |
| - | - | - | B46-0096-23 | WARRANTY CARD | | X |
| - | - | - | B46-0122-13 | WARRANTY CARD | | E |
| - | - | - | B46-0143-13 | WARRANTY CARD | | T |
| - | - | - | B60-0434-00 | INSTRUCTION MANUAL (ENGLISH) | | KMTX |
| - | - | - | B60-0435-00 | INSTRUCTION MANUAL (FRENCH) | | E |
| - | - | - | B60-0436-00 | INSTRUCTION MANUAL (NETHERLAND) | | E |
| - | - | - | H50-0054-08 | ITEM CARTON CASE (UD3) | | K |
| - | - | - | H50-0055-08 | ITEM CARTON CASE (UD3) | | MX |
| - | - | - | H50-0056-08 | ITEM CARTON CASE (A-311) | | ET |
| - | - | - | H50-0057-08 | ITEM CARTON CASE (X-311L) | | ET |
| - | - | - | H40-0012-08 | ØJTER CARTON CASE (UD3) | | ET |
| - | - | - | SH1109020451 | PØLYSTYRENE FIXTURE L (A-311) | | K |
| - | - | - | SH1109020452 | PØLYSTYRENE FIXTURE R (A-311) | | K |
| - | - | - | SH1109020453 | PØLYSTYRENE FIXTURE L (X-311) | | K |
| - | - | - | SH1109020454 | PØLYSTYRENE FIXTURE R (X-311) | | K |
| - | - | - | SH1109020477 | PØLYSTYRENE FIXTURE L (A-311) | | BMTX |
| - | - | - | SH1109020478 | PØLYSTYRENE FIXTURE R (A-311) | | BMTX |
| - | - | - | SH1109020479 | PØLYSTYRENE FIXTURE L (X-311) | | BMTX |
| - | - | - | SH1109020480 | PØLYSTYRENE FIXTURE R (X-311) | | BMTX |
| - | - | - | SH1109050091 | PRØTECTION BAG (UNIT) | | |
| - | - | - | SH1169060007 | PØLY BAG (ACCESSORY) | | |

* New Parts
 Parts without Parts No. are not supplied.
 Les articles non mentionnés dans le Parts No. ne sont pas fournis.
 Teile ohne Parts No. werden nicht geliefert.

| Ref. No. 参照番号 | Address 位置 | New Parts 部品番号 | Parts No. 部品番号 | Description 部品名 / 規格 | Desti- nation 仕 | Re- marks 向 |
|-------------------------------|---------------|-------------------|-------------------|-------------------------------|-----------------------|-------------------|
| A-311 / X-311 / X-311L (UD-3) | | | | | | |
| 501 | 1F | * | SH1101070166 | CABINET (A-311) | | |
| 506 | 2F | * | SH1101240146 | CD INDICATOR | | |
| 507 | 2F | * | SH1101240147 | GE WINDOW | | |
| 508 | 2F | * | SH1101240152 | REMOTE CONTROLLER FILTER | | |
| 509 | 2G | * | SH1101540791 | EFFECT INDICATOR | | |
| 510 | 2F | * | SH1101580614 | PANEL (A-311) | | |
| 511 | 2F | * | SH1101580615 | TRAY PANEL | | |
| 512 | 2F | * | SH1101580608 | PANEL ASSY (A-311) | | |
| 515 | 2F | * | SH1101741085 | KNØB (VOLUME) | | |
| 516 | 2F | * | SH1101741086 | KNØB (BASS) | | |
| 517 | 2G | * | SH1101741087 | KNØB (BALANCE) | | |
| 518 | 2G | * | SH1101540972 | LED WITH TØP (A) | | |
| 519 | 2F | * | SH1101741090 | LED WITH TØP | | |
| 520 | 2G | * | SH1101741145 | KNØB (GRAPHIC EQUALIZER UP) | | |
| 521 | 2G | * | SH1101741146 | KNØB (GRAPHIC EQUALIZER DOWN) | | |
| 522 | 2F | * | SH1101741147 | KNØB (GRAPHIC EQUALIZER L) | | |
| 523 | 2G | * | SH1101741148 | KNØB (GRAPHIC EQUALIZER R) | | |
| 524 | 2G | * | SH1101741095 | KNØB (MEMORY/FLAT/EFFECT/REF) | | |
| 525 | 2G | * | SH1101741096 | KNØB (CD FUNCTION) | | |
| 530 | 1G | * | SH1105121749 | FLEXIBLE WIRE | | |
| 531 | 1H | * | SH1142040001 | CØRD BUSHING | | |
| 532 | 1H | * | SH1105000040 | AC CØRD | | TE |
| 532 | 1H | * | SH1105000041 | AC CØRD | | MX |
| 532 | 1H | * | SH1125000036 | AC CØRD | | K |
| 536 | 2F | * | SH1163400039 | FOØT (FRONT FELT) | | |
| 538 | 2H | * | SH1163400025 | FOØT (BACK) | | |
| 560 | 1G | * | A70-0526-08 | REMOTE CONTROLLER | | |
| 560 | 1G | * | A70-0527-08 | REMOTE CONTROLLER | | |
| 561 | 1P | * | A09-0107-08 | BATTERY COVER FOR REMØCON | | |
| 562 | 1G | * | SH1105020013 | LOOP ANTENNA | | |
| 563 | 1F | * | SH1125040004 | FM ANTENNA | | |
| 564 | 1F | * | T90-0136-05 | ANTENNA ADAPTER | | |
| 565 | 1F | * | E03-0115-05 | AC PLUG ADAPTER | | |
| 601 | 11 | * | SH1101070166 | CABINET (X-311) | | |
| 604 | 21 | * | SH1101100447 | T1 CASSETTE COVER | | |
| 605 | 21 | * | SH1101100448 | T2 CASSETTE COVER | | |
| 606 | 21 | * | SH110170487 | CASSETTE HOLDER | | |
| 609 | 21 | * | SH1101240145 | CASSETTE WINDOW | | |
| 610 | 21 | * | SH1101240148 | TUNER WINDOW | | |
| 611 | 1J | * | SH1101540793 | LIGHTING CHIP (7KEYS) | | |
| 612 | 21 | * | SH1101560236 | ØRANGE SHEET | | |
| 613 | 11 | * | SH1101580608 | PANEL ASSY (X-311L) | | |
| 613 | 11 | * | SH1101580609 | PANEL ASSY (X-311) | | |
| 613 | 11 | * | SH1101580614 | PANEL ASSY (X-311L) | | |
| 614 | 21 | * | SH1101580573 | FRONT PANEL | | |
| 615 | 2J | * | SH1101741086 | SLIDE KNØB | | |
| 616 | 2J | * | SH1101741143 | T1 CASSETTE KNØB | | MX |
| 616 | 2J | * | SH1101741149 | T1 CASSETTE KNØB | | KET |
| 617 | 1J | * | SH1101741144 | T2 CASSETTE KNØB | | MX |
| 617 | 1J | * | SH1101741150 | T2 CASSETTE KNØB | | KET |
| 618 | 21 | * | SH1101741099 | KNØB (7 KEYS) | | |
| 619 | 1J | * | SH1101741100 | KNØB (EFF REM) | | |
| 620 | 1J | * | SH1101741101 | KNØB (TURNING) | | |

E: Scandinavia & Europe K: USA P: Canada W: Europe
 Y: PX(Far East, Hawaii) T: England M: Other Areas
 Y: AA(FE)(Europe) X: Australia
 indicates safety critical components

PARTS LIST

X New Parts
Parts without Parts No. are not supplied.
Les articles non mentionnés dans le Parts No. ne sont pas fournis.
Teile ohne Parts No. werden nicht geliefert.

X New Parts
Parts without Parts No. are not supplied.
Les articles non mentionnés dans le Parts No. ne sont pas fournis.
Teile ohne Parts No. werden nicht geliefert.

| Ref. No. 参照番号 | Address 位置 | New Parts 新部品 | Parts No. 部品番号 | Description 部品名/規格 | Desti- nation 向 | Re- marks 備考 |
|------------------|---------------|------------------|-------------------|-----------------------|-----------------------|--------------------|
| C95 | | | CK45FB1H223K | CERAMIC | | |
| C98 | | | CE04KW1C470M | ELECTRØ | | |
| C101 | | | CE04KW1A101M | ELECTRØ | | |
| C102 | | | CK73FB1H103K | CHIP C | | |
| C103 | | | CE04KW1A101M | ELECTRØ | | |
| C104-106 | | | CK45FB1H103K | CERAMIC | | |
| C107-109 | | | CK41DB1H101K | CYLND. CHIP C | | |
| C110-112 | | | CK73FB1H101K | CHIP C | | |
| C113 | | | CK73FB1E473K | CHIP C | | |
| C114, 115 | | | CC41DSL1H330J | CYLND. CHIP C | | |
| C116 | | | CK41DB1H102K | CYLND. CHIP C | | |
| C131, 132 | | | CK45FB1H103K | CERAMIC | | |
| C133 | | | CK73FB1H103K | CHIP C | | |
| C134 | | | CE04KW1H010M | ELECTRØ | | |
| C148 | | | CK41DB1H102K | CYLND. CHIP C | | |
| C150 | | | CK73FB1H101K | CHIP C | | |
| C201 | | | CE04KW1HR22M | ELECTRØ | | |
| C202 | | | CC45FSL1H681J | CERAMIC | | |
| C203 | | | CE04KW1HR47M | ELECTRØ | | |
| C284 | | | CK45FB1H182K | CERAMIC | | |
| C205 | | | CK45FB1H683J | CERAMIC | | |
| C206 | | | CE04KW1H182K | CERAMIC | | |
| C207 | | | CE04KW1HR22M | ELECTRØ | | |
| C208 | | | CK45FB1H472K | CERAMIC | | |
| C209 | | | CK45FB1H273K | CERAMIC | | |
| C210 | | | CK45FB1H472K | CERAMIC | | |
| C211 | | | CK45FB1H683K | CERAMIC | | |
| C212 | | | CK45FB1H123K | CERAMIC | | |
| C213, 214 | | | CK45FB1H103K | CERAMIC | | |
| C215, 216 | | | CK45FB1H273K | CERAMIC | | |
| C217 | | | CK45FB1H472K | CERAMIC | | |
| C218 | | | CK45FB1H273K | CERAMIC | | |
| C219 | | | CK45FB1H123K | CERAMIC | | |
| C220 | | | CK45FB1H683K | CERAMIC | | |
| C221 | | | CK45FB1H182K | CERAMIC | | |
| C222 | | | CK45FB1H683K | CERAMIC | | |
| C223 | | | CK45FB1H472K | CERAMIC | | |
| C224 | | | CE04KW1HR22M | ELECTRØ | | |
| C225 | | | CC45FSL1H681J | CERAMIC | | |
| C226 | | | CE04KW1HR22M | ELECTRØ | | |
| C227 | | | CK45FB1H182K | CERAMIC | | |
| C228 | | | CK45FB1HR47M | ELECTRØ | | |
| C229-234 | | | CE04KW1C470M | ELECTRØ | | |
| C235 | | | CK45FB1H223K | CERAMIC | | |
| C236, 237 | | | CC45FSL1H151J | CERAMIC | | |
| C238 | | | CK45FB1H102K | CERAMIC | | |
| C239, 240 | | | CE04KW1C100M | ELECTRØ | | |
| C241, 242 | | | CK45FB1H223K | CERAMIC | | |
| C241, 242 | | | CK45FB1H224K | CERAMIC | | |
| C243, 244 | | | CE04KW1H100M | ELECTRØ | | |
| C245, 246 | | | CC45FSL1H470J | CERAMIC | | |
| C250 | | * | SH1125900261 | CERAMIC | | |
| C250 | | * | SH1125900287 | CERAMIC | | |
| C250 | | | CK45FB1H101J | CERAMIC | | |
| C251, 252 | | | CK45FB1H223K | CERAMIC | | |
| C253 | | | | CERAMIC | | |

| Ref. No. 参照番号 | Address 位置 | New Parts 新部品 | Parts No. 部品番号 | Description 部品名/規格 | Desti- nation 向 | Re- marks 備考 |
|------------------|---------------|------------------|-------------------|-----------------------|-----------------------|--------------------|
| C5 | | | CE04KW1A101M | ELECTRØ | | |
| C7 | | | CE04KW1E101M | ELECTRØ | | |
| C11, 12 | | | CE04KW1A471M | ELECTRØ | | |
| C13, 14 | | | CF92FV1H823J | MF | | |
| C15, 16 | | | CK45FB1H272K | CERAMIC | | |
| C17, 18 | | | CF92FV1H123J | MF | | |
| C21, 22 | | | CE04KW1C100M | ELECTRØ | | |
| C23, 24 | | | CE04FB1H101M | NP-ELEC | | |
| C25, 26 | | | CK45FB1H122K | CERAMIC | | |
| C35 | | | CS15E1DR47M | TANTAL | | |
| C37 | | | CE04KW1HR47M | ELECTRØ | | |
| C38 | | | CK41DB1H101K | CYLND. CHIP C | | |
| C40, 41 | | | CC41DSL1H180J | CYLND. CHIP C | | |
| C42 | | | CK41DB1H101K | CYLND. CHIP C | | |
| C44, 45 | | | CK45FB1H103K | CERAMIC | | |
| C46 | | | CK41DB1H471K | CYLND. CHIP C | | |
| C47, 48 | | | CE04KW1H010M | ELECTRØ | | |
| C49 | | | CK45FB1H272K | CERAMIC | | |
| C50 | | | CK45FB1H153K | CERAMIC | | |
| C51, 52 | | | CC41DSL1H220J | CYLND. CHIP C | | |
| C53 | | | CK45FB1C152K | CERAMIC | | |
| C54 | | | CE04KW1E487M | ELECTRØ | | |
| C55 | | | CC41DSL1H180C | CYLND. CHIP C | | |
| C56 | | | CC41DSL1H180J | CYLND. CHIP C | | |
| C57-59 | | | CE04KW1C470M | ELECTRØ | | |
| C60 | | | CK45FB1H223K | CERAMIC | | |
| C61, 62 | | | CC41DSL1H390J | CYLND. CHIP C | | |
| C63 | | | CK73FB1H103K | CHIP C | | |
| C64 | | | CK73FB1H102K | CHIP C | | |
| C65 | | | CK45FB1H682K | CERAMIC | | |
| C66 | | | CF92FV1H823J | MF | | |
| C68 | | | CE04KW1H282M | ELECTRØ | | |
| C69 | | | CK41DB1H471K | CYLND. CHIP C | | |
| C71 | | | CE04KW1C220M | ELECTRØ | | |
| C72 | | | CK41DB1H101K | CYLND. CHIP C | | |
| C73 | | | CK45FB1H223K | CERAMIC | | |
| C74 | | | CC41DSL1H220J | CYLND. CHIP C | | |
| C75 | | | CK45FB1H333K | CERAMIC | | |
| C76 | | | CK73FB1H104Z | CHIP C | | |
| C77 | | | CC41DSL1H680J | CYLND. CHIP C | | |
| C78 | | | CC41DSL1H270J | CYLND. CHIP C | | |
| C80 | | | CK45FB1H104K | CERAMIC | | |
| C81 | | | CE04KW1C100M | ELECTRØ | | |
| C82 | | | CE04KW1021M | ELECTRØ | | |
| C83 | | | CE04KW1E487M | ELECTRØ | | |
| C84 | | | CK41DB1H102K | CYLND. CHIP C | | |
| C85 | | | CK45FB1H104K | CERAMIC | | |
| C86 | | | CE04KW1E487M | ELECTRØ | | |
| C87, 88 | | | CK73FB1H123K | CHIP C | | |
| C87 | | | CK73FB1H222K | CHIP C | | |
| C90 | | | CE04KW1A101M | ELECTRØ | | |
| C91 | | | CK73FB1H222K | CHIP C | | |
| C92 | | | CE04KW1A101M | ELECTRØ | | |
| C93 | | | CK45FB1C104K | CERAMIC | | |
| C94 | | | CE04KW1A101M | ELECTRØ | | |

E: Scandinavia & Europe K: USA P: Canada W: Europe
Y: PK(Far East, Hawaii) T: England M: Other Areas
Y: AM(FES)(Europe) X: Australia
A indicates safety critical components

PARTS LIST

X New Parts
 Parts without Parts No. are not supplied.
 Les articles non mentionnés dans le Parts No. ne sont pas fournis.
 Teile ohne Parts No. werden nicht geliefert.

| Ref. No. 参照番号 | Address 位置 | Parts No. 部品番号 | Description 部品名 / 規格 | Desti- nation 向 | Re- marks 備考 |
|------------------|---------------|-------------------|-------------------------|-----------------------|--------------------|
| C405, 406 | | C045FSLH31J | CERAMIC | | |
| C407, 408 | | C045FSLH31J | CERAMIC | | J |
| C409, 410 | | C04KW1C470M | ELECTRØ | | 16WV |
| C411-414 | | C04KW1C100M | ELECTRØ | | 16WV |
| C415, 416 | | C045FB1H223K | CERAMIC | | K |
| | | | 0.022UF | | |
| C417, 418 | | C045FSLH151J | CERAMIC | | J |
| C419 | | C04KW1C470M | ELECTRØ | | 16WV |
| C420 | | C045FB1H223K | CERAMIC | | K |
| C421 | | C045FB1H332K | CERAMIC | | K |
| C422 | | C045FB1H102K | CERAMIC | | K |
| | | | 0.022UF | | |
| C423, 424 | | C045FB1H223K | CERAMIC | | K |
| C425, 426 | | C04KW1C470M | ELECTRØ | | 16WV |
| C427, 428 | | C045FSLH101J | CERAMIC | | J |
| C429 | | C045FB1H223K | CERAMIC | | K |
| C430 | | C04KW1C470M | ELECTRØ | | 16WV |
| | | | 0.022UF | | |
| C431, 432 | | C045FB1H823K | CERAMIC | | K |
| C433, 434 | | C04KW1H66M | ELECTRØ | | 50WV |
| C435, 436 | | C04KW1C470M | ELECTRØ | | 16WV |
| C437, 438 | | C045FSLH221J | CERAMIC | | J |
| C439-442 | | C045FSLH151J | CERAMIC | | J |
| | | | 0.082UF | | |
| C443-446 | | C04KW1C100M | ELECTRØ | | 16WV |
| C447, 448 | | C04KW1C470M | ELECTRØ | | 16WV |
| C449 | | C045FB1H223K | CERAMIC | | K |
| C450 | | C04KW1C470M | ELECTRØ | | 16WV |
| C451 | | C045FB1H223K | CERAMIC | | K |
| | | | 0.022UF | | |
| C452, 453 | | C045FB1H473Z | CERAMIC | | Z |
| C454, 455 | | C045FB1H333K | CERAMIC | | K |
| C456 | | C045FB1H102K | CERAMIC | | K |
| C501 | | C045FB1H271K | CERAMIC | | K |
| C502 | | C041DB1H271K | CYLND CHIP C | | 270PF |
| | | | 270PF | | K |
| C503, 504 | | C04KW1A101M | ELECTRØ | | 10WV |
| C505, 506 | | C041DB1H221K | CYLND CHIP C | | 220PF |
| C507, 508 | | C041DB1H561K | CYLND CHIP C | | 560PF |
| C509, 510 | | C041DB1H221K | CYLND CHIP C | | 220PF |
| C511 | | C045FB1H821K | CERAMIC | | K |
| | | | 820PF | | X |
| C512 | | C041DB1H821K | CYLND CHIP C | | 820PF |
| C513 | | C04KW1C221K | ELECTRØ | | 16WV |
| C514, 515 | | C04KW1C100M | ELECTRØ | | 100F |
| C516 | | C04KW1C220M | ELECTRØ | | 22UF |
| C517 | | C04KW1H47M | ELECTRØ | | 4.7UF |
| | | | 50WV | | |
| C518 | | C045FB1H333K | CERAMIC | | K |
| C519, 520 | | C04KW1H47M | ELECTRØ | | 4.7UF |
| C521 | | C045FB1H333K | CERAMIC | | K |
| C522 | | C04KW1C470M | ELECTRØ | | 16WV |
| C523, 526 | | C045FB1H103K | CERAMIC | | K |
| | | | 0.010UF | | |
| C527, 528 | | C041DB1H391K | CYLND CHIP C | | 390PF |
| C529 | | C045FB1H223K | CERAMIC | | K |
| C530 | | C045FB1H223K | CERAMIC | | K |
| C531 | | C04KW1H822M | ELECTRØ | | 0.022UF |
| C532 | | C04KW1H810M | ELECTRØ | | 1.0UF |
| | | | 50WV | | |
| C533 | | C04KW1C470M | ELECTRØ | | 47UF |
| C535, 536 | | C04KW1H010M | ELECTRØ | | 1.0UF |
| C537, 540 | | C04KW1H010M | ELECTRØ | | 1.0UF |
| C541 | | C04KW1C107M | ELECTRØ | | 1000PF |
| C542, 543 | | C04KW1H010M | ELECTRØ | | 1.0UF |
| | | | 50WV | | |

X New Parts
 Parts without Parts No. are not supplied.
 Les articles non mentionnés dans le Parts No. ne sont pas fournis.
 Teile ohne Parts No. werden nicht geliefert.

| Ref. No. 参照番号 | Address 位置 | Parts No. 部品番号 | Description 部品名 / 規格 | Desti- nation 向 | Re- marks 備考 |
|------------------|---------------|-------------------|-------------------------|-----------------------|--------------------|
| C254 | | C04KW1C470M | ELECTRØ | | 16WV |
| C255 | | C04KW1H282M | ELECTRØ | | 50WV |
| C256 | | C045FB1H223K | CERAMIC | | K |
| C257, 258 | | C04KW1V332M | ELECTRØ | | 33WV |
| C259, 260 | | C04KW1E101M | ELECTRØ | | 25WV |
| | | | 0.022UF | | |
| C261, 262 | | C045FB1H223K | CERAMIC | | K |
| C263, 264 | | C04KW1C101M | ELECTRØ | | 16WV |
| C265, 266 | | C04KW1C470M | ELECTRØ | | 16WV |
| C267, 268 | | C045FB1H223K | CERAMIC | | K |
| C269, 270 | | C045FB1H473Z | CERAMIC | | Z |
| | | | 0.047UF | | |
| C271 | | C04KW1E472M | ELECTRØ | | 25WV |
| C272 | | C04KW1E222M | ELECTRØ | | 2200UF |
| C273, 274 | | C04KW1H477M | ELECTRØ | | 4.7UF |
| C275 | | C04KW1H010M | ELECTRØ | | 50WV |
| C276 | | C045FB1H223K | CERAMIC | | K |
| | | | 0.022UF | | |
| C277, 278 | | C04KW1H100M | ELECTRØ | | 50WV |
| C279 | | C04KW1C100M | ELECTRØ | | 16WV |
| C280 | | C04KW1C470M | ELECTRØ | | 16WV |
| C281 | | C045FB1H223K | CERAMIC | | K |
| C282 | | C04KW1C470M | ELECTRØ | | 16WV |
| | | | 0.022UF | | |
| C283 | | C04KW1E222M | ELECTRØ | | 2200UF |
| C284 | | C045FB1H223K | CERAMIC | | K |
| C285, 286 | | C04KW1C470M | ELECTRØ | | 16WV |
| C287, 288 | | C04KW1H010M | ELECTRØ | | 50WV |
| C289, 290 | | C04KW1H282M | ELECTRØ | | 50WV |
| | | | 2.2UF | | |
| C291, 292 | | C045FSLH471J | CERAMIC | | J |
| C293, 294 | | C045FSLH331J | CERAMIC | | J |
| C295, 296 | | C04KW1V220M | ELECTRØ | | 33WV |
| C295, 296 | | SH1105900364 | ELECTRØ | | 35WV |
| C297, 298 | | C045FSLH823K | CERAMIC | | K |
| | | | 0.082UF | | |
| C299-301 | | C04KW1H470M | ELECTRØ | | 50WV |
| C302, 303 | | C04KW1H100M | ELECTRØ | | 50WV |
| C304, 305 | | C04KW1H470M | ELECTRØ | | 50WV |
| C307-310 | | C045FB1H104K | CERAMIC | | K |
| C311, 312 | | C045FSLH151J | CERAMIC | | J |
| | | | 150PF | | |
| C351 | | C04KW1C100M | ELECTRØ | | 16WV |
| C352 | | C045FB1H223K | CERAMIC | | K |
| C353 | | C04KW1H010M | ELECTRØ | | 50WV |
| C354 | | C04KW1C221M | ELECTRØ | | 100F |
| C355 | | C04KW1C100M | ELECTRØ | | 16WV |
| | | | 0.022UF | | |
| C356 | | C045FB1H223K | CERAMIC | | K |
| C357 | | C04KW1E102M | ELECTRØ | | 1000UF |
| C358, 359 | | C04KW1C100M | ELECTRØ | | 10UF |
| C360 | | C045FB1H223K | CERAMIC | | K |
| C361 | | C04KW1E102M | ELECTRØ | | 1000UF |
| | | | 25WV | | |
| C362, 363 | | C04KW1C100M | ELECTRØ | | 16WV |
| C364 | | C045FB1H223K | CERAMIC | | K |
| C365 | | C04KW1C100M | ELECTRØ | | 14WV |
| C366 | | C04KW1C101M | ELECTRØ | | 16WV |
| C367 | | C045FB1H223K | CERAMIC | | K |
| | | | 0.022UF | | |
| C368 | | C04KW1E102M | ELECTRØ | | 25WV |
| C374 | | C045FB1H473Z | ELECTRØ | | 0.047UF |
| C375 | | C04KW1C100M | ELECTRØ | | 16WV |
| C401, 402 | | C04KW1C100M | ELECTRØ | | 10UF |
| C403, 404 | | C045FSLH151J | CERAMIC | | 150PF |
| | | | J | | |

E: Scandinavia & Europe K: USA P: Canada W: Europe
 Y: (P) Far East, Hawaii T: England M: Other Areas
 X: Australia
 A: Indicates safety critical components

PARTS LIST

✱ New Parts
Parts without Parts No. are not supplied.
Les articles non mentionnés dans le Parts No. ne sont pas fournis.
Teile ohne Parts No. werden nicht geliefert.

| Ref. No. 参照番号 | Address 位置 | Parts No. 部品番号 | Description 部品名 / 規格 | Desti- nation 仕 | Re- marks 備考 |
|------------------|---------------|-------------------|-------------------------|-----------------------|--------------------|
| C544 | | CE04KW1C220M | ELECTRØ 22UF 16WV | | |
| C545, 546 | | CE04KW1C100M | ELECTRØ 10UF 16WV | | |
| C547, 548 | | CE04KW1HR22M | ELECTRØ 0.22UF 50WV | | |
| C549, 550 | | CE04KW1C100M | ELECTRØ 10UF 16WV | | |
| C551 | | CK45FB1H473Z | CERAMIC 0.047UF Z | | |
| C552 | | CE04KW1C470M | ELECTRØ 47UF 16WV | | |
| C553, 554 | | CK41DB1H221K | CYLND CHIP C 220PF K | | |
| C555 | | CE04KW1C100M | ELECTRØ 10UF 16WV | | |
| C557, 558 | | CE04KW1C100M | ELECTRØ 10UF 16WV | | |
| C559 | | CE04KW1C470M | ELECTRØ 47UF 16WV | | |
| C561, 562 | | CE04KW1C100M | ELECTRØ 10UF 16WV | | |
| C563 | | CE04KW1C101M | ELECTRØ 100UF 16WV | | |
| C564 | | CE04KW1C100M | ELECTRØ 10UF 16WV | | |
| C565 | | CK41DB1H221K | CYLND CHIP C 220PF K | | |
| C566 | | CK45FB1H221K | CERAMIC 220PF | | |
| C567, 568 | | CE04KW1A470M | ELECTRØ 47UF 10WV | | |
| C569, 570 | | CE04KW1C100M | ELECTRØ 10UF 16WV | | |
| C571 | | CE04KW1HR22M | ELECTRØ 0.22UF 50WV | | |
| C572 | | CK45FB1H223K | CERAMIC 0.22UF K | | |
| C573 | | CK45FB1H221K | CERAMIC 220PF K | | |
| C574 | | CK41DB1H221K | CYLND CHIP C 220PF K | | |
| C575 | | CC45FSL1H561J | CERAMIC 560PF K | | KMX |
| C576 | | CE04KW1C470M | ELECTRØ 47UF 16WV | | |
| C577, 578 | | C093M1H221J | MYLAR 220PF J | | |
| C579 | | C093M1H332J | MYLAR 3300PF J | | |
| C580 | | CE04KW1HR47M | ELECTRØ 4.7UF 50WV | | |
| C581 | | CE04KW1HR47M | ELECTRØ 0.47UF 50WV | | |
| C582 | | CE04KW1C100M | ELECTRØ 10UF 16WV | | |
| C583 | | CE04KW1HR22M | ELECTRØ 2.2UF 50WV | | |
| C584 | | CE04KW1C101M | ELECTRØ 100UF 16WV | | |
| C585 | | CK41DB1H561K | CYLND CHIP C 560PF K | | |
| C586 | | CE04KW1C331M | ELECTRØ 3300PF K | | |
| C587, 588 | | CK45FB1H822J | CERAMIC 8200PF J | | |
| C589, 590 | | CK45FB1H153K | CERAMIC 0.015UF K | | |
| C591, 592 | | CK45FB1H562K | CERAMIC 5600PF K | | |
| C593, 594 | | CK45FB1H561K | CERAMIC 560PF K | | |
| C595, 596 | | CK45FB1H562K | CERAMIC 5600PF K | | |
| C597, 598 | | CE04KW1HR22M | ELECTRØ 0.22UF 50WV | | |
| C599, 600 | | CK45FB1H152K | CERAMIC 1500PF K | | |
| C601 | | CE04KW1C100M | ELECTRØ 10UF 16WV | | |
| C603, 604 | | CE04KW1C100M | ELECTRØ 10UF 16WV | | |
| C605, 606 | | CK41DB1H151K | CYLND CHIP C 150PF K | | |
| C607-610 | | CE04KW1C100M | ELECTRØ 10UF 16WV | | |
| C611, 612 | | CK45FB1H153K | CERAMIC 0.015UF K | | |
| C613-616 | | CE04KW1C100M | ELECTRØ 10UF 16WV | | |
| C617 | | CK45FB1H561K | CERAMIC 560PF K | | |
| C618 | | C093M1H682J | MYLAR 6800PF J | | |
| C619 | | C093M1H153J | MYLAR 0.015UF J | | |
| C621, 622 | | CE04KW1C470M | ELECTRØ 47UF 16WV | | |
| C623-624 | | CE04KW1C100M | ELECTRØ 10UF 16WV | | |
| C625 | | CE04KW1C470M | ELECTRØ 47UF 16WV | | |
| C627, 628 | | CE04KW1C100M | ELECTRØ 10UF 16WV | | |
| C631, 632 | | CE04KW1C100M | ELECTRØ 10UF 16WV | | |
| C633, 634 | | CE04KW1C470M | ELECTRØ 47UF 16WV | | |
| C636 | | CE04KW1C100M | ELECTRØ 10UF 16WV | | |
| C637 | | CK45FB1H223Z | CERAMIC 0.022UF Z | | |
| C701 | | CE04KW1A470M | ELECTRØ 47UF 10WV | | |
| C702 | | CK45FB1E223K | CERAMIC 0.22UF K | | |
| C703, 704 | | CC41DSL1H530J | CYLND CHIP C 33PF J | | |
| C705 | | CK45FB1H223K | CERAMIC 0.022UF K | | |
| C706 | | CE04KW1H2R2M | ELECTRØ 2.2UF 50WV | | |
| C707 | | CE04KW1C100M | ELECTRØ 10UF 16WV | | |
| C708 | | CK73DB1H101K | CHIP C 100PF K | | |
| C709 | | CK45FB1H152K | CERAMIC 1500PF K | | |
| C710-712 | | CC41DSL1H560J | CYLND CHIP C 56PF J | | |
| C713, 714 | | CK45FB1H152K | CERAMIC 1500PF K | | |
| C733 | | CK45FB1H104K | CERAMIC 0.10UF K | | |
| C734 | | CE04KW1C100M | ELECTRØ 10UF 16WV | | |
| C735 | | CE04KW1A471M | ELECTRØ 470UF 10WV | | |
| C736 | | CK45FB1H104K | CERAMIC 0.10UF K | | |
| C737, 738 | | CE04KW1C100M | ELECTRØ 10UF 16WV | | |
| C801 | | CK45FB1H104K | ELECTRØ 470UF 6.3WV | | |
| C802-804 | | CK45FB1H103M | CERAMIC 0.010UF M | | |
| C805, 806 | | CC41DSL1H200J | CYLND CHIP C 20PF J | | |
| C807-810 | | CK41DB1H101K | CYLND CHIP C 100PF K | | |
| C811 | | CC41DSL1H330J | CYLND CHIP C 33PF J | | |
| C812 | | CE04KW1C100M | ELECTRØ 10UF 16WV | | |
| C813 | | CK45FB1H222Z | CERAMIC 2200PF Z | | |
| C814 | | CC41DSL1H330J | CYLND CHIP C 33PF J | | |
| C815 | | CE04KW1H2R2M | ELECTRØ 2.2UF 50WV | | |
| C816 | | CK45FB1H223K | CERAMIC 0.022UF K | | |
| C817 | | CE04KW1C100M | ELECTRØ 10UF 16WV | | |
| C818-820 | | CK41DB1H101K | CYLND CHIP C 100PF K | | |
| C821 | | CE04KW1H010M | ELECTRØ 1.0UF 50WV | | |
| C822-824 | | CK45FB1H103K | CERAMIC 0.010UF K | | |
| C825 | | CK45FB1H222K | CERAMIC 2200PF K | | |
| C826 | | CK41DB1H102K | CYLND CHIP C 1000PF K | | |
| C827-829 | | CK41DB1H101K | CYLND CHIP C 300PF K | | |
| C830 | | CK45FB1H222K | CERAMIC 2200PF K | | |
| C901 | | CK45FB1H222Z | CERAMIC 2200PF Z | | |
| C907-910 | | CK45FB1H222Z | CERAMIC 2200PF Z | | |
| C911 | | CK41DB1H101K | CYLND CHIP C 100PF K | | |
| C912 | | CK45FB1H222Z | CERAMIC 2200PF Z | | |
| C913 | | SH425900027 | BACKUP C 0.047F 5.5WV | | |
| C914 | | CK45FB1H222Z | CERAMIC 2200PF Z | | |
| C915 | | CE04KW1C470M | ELECTRØ 47UF 16WV | | |
| C916 | | CK41DB1H101K | CYLND CHIP C 100PF K | | |
| C918 | | CK41DB1H331K | CYLND CHIP C 330PF K | | |
| C919 | | CC41DSL1H180J | CYLND CHIP C 18PF J | | |
| C920 | | CC41DSL1H150J | CYLND CHIP C 15PF J | | |
| C921 | | CK41DB1H102K | CYLND CHIP C 1000PF K | | |
| C922 | | CE04KW1H2R2M | ELECTRØ 2.2UF 50WV | | |
| C923 | | CE04KW1C470M | ELECTRØ 47UF 16WV | | |
| C924 | | CC41DSL1H100J | CYLND CHIP C 10PF J | | ET |
| C925 | | CK45FB1H473Z | CERAMIC 0.047UF Z | | |
| C926 | | CK45FB1H222Z | CERAMIC 2200PF Z | | |
| C927 | | CC41DSL1H270J | CYLND CHIP C 27PF J | | |
| C928 | | C093M1H471J | MYLAR 470PF J | | |
| C929 | | CC41DSL1H180J | CYLND CHIP C 18PF J | | |
| C930 | | C093M1H681J | MYLAR 680PF J | | ET |

E: Scandinavia & Europe K: USA P: Canada W: Europe
 Y: PK(Far East, Hawaii) T: England M: Other Areas
 V: AAFES(Europe) X: Australia
 △ indicates safety critical components

PARTS LIST

* New Parts
Parts without Parts No. are not supplied.
Les articles non mentionnés dans le Parts No. ne sont pas fournis.
Teile ohne Parts No. werden nicht geliefert.

* New Parts
Parts without Parts No. are not supplied.
Les articles non mentionnés dans le Parts No. ne sont pas fournis.
Teile ohne Parts No. werden nicht geliefert.

| Ref. No. 参照番号 | Address 位置 | New Parts 新部品 | Parts No. 部品番号 | Description 部品名 / 規格 | Desti-nation 仕向 |
|------------------|---------------|------------------|-------------------|----------------------------|--------------------|
| F201-203 | 1G, 1H | | SH1125150087 | FUSE | K |
| F201, 202 | 1G, 1H | | SH1305150046 | FUSE | MX |
| F203 | 2H | | SH1165150023 | FUSE | ET |
| F204 | 2H | | SH1305150057 | FUSE | ET |
| F204 | 2H | | SH1165150023 | FUSE | ET |
| F206, 207 | 2H | | SH1165150023 | FUSE | MX |
| F208, 209 | | | SH1165150016 | FUSE | K |
| F210 | | | SH1165150016 | FUSE | K |
| J201 | 2G | | SH1105160009 | FUSE HOLDER | |
| S0201 | 2H | | SH1305170468 | HEADPHONE JACK | |
| S0202 | 2H | | SH1105270109 | PHONE JACK (SURROUND) | |
| S0401 | 1H | | SH1105270108 | PHONE JACK (SUPER WOOFER) | |
| S0401 | 1H | | SH1105270076 | PHONE JACK (AUX) | |
| S0901 | 2K | | SH1205320027 | ANTENNA TERMINAL | ET |
| CF901, 902 | 2K | | SH1125320066 | CERAMIC FILTER | MX |
| L1 | | | SH1106210043 | OSCILLATING COIL (4.32MHz) | |
| L201 | | | SH1256070016 | FERRI-INDUCTOR 100uH | |
| L202 | | | SH1305850009 | LINE FILTER | |
| L401-404 | | | SH1106140093 | FERRI-INDUCTOR 100uH | |
| L501, 502 | | | SH1305850009 | FERRI-INDUCTOR 100uH | |
| L503 | | | SH1306140201 | OSCILLATING COIL (10SKHz) | |
| L505, 506 | | | SH1106140060 | FERRI-INDUCTOR | |
| L507, 508 | | | SH1105850038 | FERRI-INDUCTOR 6.8mH | |
| L509 | | | SH1305850009 | FERRI-INDUCTOR 100uH | |
| L801, 802 | | | SH1305850009 | FERRI-INDUCTOR 100uH | |
| L903 | | | SH1105850008 | PEAKING COIL | |
| L904 | | | SH1165850001 | PEAKING COIL | |
| L905 | | | SH1106060094 | AM-RF | ET |
| L906 | | | SH1106060093 | LW-RF | |
| L907 | | | SH1106070081 | AM-OSC | |
| L908 | | | SH1106070080 | LW-OSC | ET |
| L909 | | | SH1106080018 | DETECTION COIL | |
| L911, 912 | | | SH1256140011 | LOW PASS FILTER | |
| L913 | | | SH1105850008 | PEAKING COIL | |
| L915 | | | SH1305850009 | FERRI-INDUCTOR 100uH | |
| T201 | 2H | | SH1106540241 | POWER TRANSFORMER | E |
| T201 | 2H | | SH1106540242 | POWER TRANSFORMER | T |
| T201 | 2H | | SH1106540245 | POWER TRANSFORMER | MX |
| T201 | 2H | | SH1106540246 | POWER TRANSFORMER | K |
| X1 | | | SH1126210019 | CERAMIC FILTER | |
| X2 | | | SH1106160004 | CRYSTAL OSCILLATOR 2MHZ | |
| XL201 | | | SH1105790012 | CRYSTAL OSCILLATOR 2MHZ | |
| XL701 | | | SH1105790013 | CRYSTAL OSCILLATOR 4MHZ | |
| XL701 | | | SH1125790001 | CRYSTAL OSCILLATOR 4MHZ | |
| XL801 | | | SH1116160002 | CRYSTAL OSCILLATOR 7.2MHZ | |
| XL901 | | | SH1106160005 | CRYSTAL OSCILLATOR 7.2MHZ | |
| FR261, 262 | | | SH1105810605 | FUSE RESIST 6.8 J 1/4W | J 1/4W |
| FR308 | | | SH1125810214 | FUSE RESIST 100 J 1/4W | J 1/4W |
| FR315 | | | SH1125810214 | FUSE RESIST 100 J 1/4W | J 1/4W |
| FR350A, 35 | 1A | | SH1255810085 | FUSE RESIST 1.0 J 1/4W | J 1/4W |
| R200A | | | RD148B2H475J | FUSE RESIST 4.7M J 1/2W | J 1/2W |
| R261, 262 | | | SH1305810835 | FUSE RESIST 4.7M J 1/4W | J 1/4W |
| R269, 270 | | | SH1105810475 | FUSE RESIST 1.0 J 1/2W | J 1/2W |

| Ref. No. 参照番号 | Address 位置 | New Parts 新部品 | Parts No. 部品番号 | Description 部品名 / 規格 | Desti-nation 仕向 |
|------------------|---------------|------------------|-------------------|-------------------------|--------------------|
| C931 | | | CC41DSL1H180J | CYLAND CHIP C 18PF | ET |
| C932 | | | CK45FB1H222Z | CERAMIC 2200PF | ET |
| C933 | | | C093M1H221J | MYLAR 220PF | ET |
| C934 | | | CC41DSL1H270J | CYLAND CHIP C 27PF | ET |
| C935 | | | CK45FB1H222Z | CERAMIC 2200PF | Z |
| C936 | | | CC41DSL1H330J | CYLAND CHIP C 33PF | J |
| C937 | | | CE04KW1H010M | ELECTRO 1.0UF 50V | |
| C938 | | | CE04KW1C100M | ELECTRO 1.0UF 16KV | |
| C939-943 | | | CK45FB1H222Z | CERAMIC 2200PF | Z |
| C944 | | | CE04KW1H2R2H | ELECTRO 2.2UF 50V | |
| C945 | | | CE04KW1H010M | ELECTRO 1.0UF 50V | |
| C946 | | | CK45FB1H103M | CERAMIC 0.010UF M | |
| C947 | | | CE04KW1H010M | ELECTRO 1.0UF 50V | |
| C948 | | | CK45FB1H103M | CERAMIC 0.010UF M | |
| C949 | | | CK41DB1H101K | CYLAND CHIP C 100PF | K |
| C950 | | | CK45FB1H222Z | CERAMIC 2200PF | Z |
| C951 | | | CE04KW1C101M | ELECTRO 1.0UF 16KV | |
| C952 | | | CK45FB1H222Z | CERAMIC 2200PF | Z |
| C953 | | | CE04KW1C100M | ELECTRO 1.0UF 16KV | |
| C954 | | | CK45FB1H222Z | CERAMIC 2200PF | Z |
| C955 | | | CE04KW1H010M | ELECTRO 1.0UF 50V | |
| C956 | | | CK45FB1H222Z | CERAMIC 2200PF | Z |
| C957 | | | CK41DB1H151K | CYLAND CHIP C 150PF | K |
| C959 | | | CK45FB1H222Z | CERAMIC 2200PF | Z |
| C960 | | | CC41DSL1H330J | CYLAND CHIP C 33PF | J |
| C961, 962 | | | CE04KW1H222Z | CERAMIC 2200PF | Z |
| C963 | | | CK41DB1H102K | CYLAND CHIP C 100PF | K |
| C964 | | | CE04KW1H010M | ELECTRO 0.1UF 50V | |
| C965 | | | CE04KW1C100M | ELECTRO 1.0UF 16KV | MX |
| C966, 967 | | | CK45FB1H222K | CERAMIC 8200PF | |
| C968 | | | CE04KW1H010M | ELECTRO 1.0UF 50V | |
| C969 | | | CE04KW1H222M | ELECTRO 0.22UF 50V | |
| C970 | | | CE04KW1H010M | ELECTRO 1.0UF 50V | |
| C971 | | | CE04KW1C100M | ELECTRO 1.0UF 16KV | |
| C972 | | | CK45FB1H473Z | CERAMIC 0.047UF Z | |
| C973 | | | CK41DB1H102K | CYLAND CHIP C 100PF | K |
| C974 | | | CE04KW1H010M | ELECTRO 1.0UF 50V | |
| C975 | | | CK45FB1H222Z | CERAMIC 2200PF | Z |
| C976 | | | CE04KW1C101M | ELECTRO 100PF 16KV | |
| C977 | | | CE04KW1C100M | ELECTRO 1.0UF 16KV | |
| C979, 980 | | | CK45FB1H122J | CERAMIC 1200PF | J |
| C979, 980 | | | CK45FF1H681K | CERAMIC 680PF | K |
| C981, 982 | | | CE04KW1H010M | ELECTRO 1.0UF 50V | |
| C983, 984 | | | CK45FB1H332J | CERAMIC 3300PF | J |
| C985 | | | CK45FB1H222Z | CERAMIC 2200PF | Z |
| C986 | | | CE04KW1C100M | ELECTRO 1.0UF 16KV | |
| C989 | | | CK45FB1H222Z | CERAMIC 2200PF | Z |
| C990 | | | CK41DB1H102K | CYLAND CHIP C 100PF | K |
| C991 | | | CK41DB1H102K | CYLAND CHIP C 100PF | K |
| C992 | | | CC45SL1H330J | CERAMIC 53PF | J |
| TC901 | | | SH1106450005 | CERAMIC TRIMMER | MX |
| TC902 | | | SH1306450027 | CERAMIC TRIMMER | MX |
| TM201 | 2H | | SH1165320073 | SPEAKER TERMINAL | MX |

E: Scandinavia & Europe K: USA P: Canada W: Europe
 Y: PK(Far East, Hawaii) T: England M: Other Areas
 Y: AAFES(Europe) X: Australia
 Δ indicates safety critical components.

PARTS LIST

* New Parts
Parts without Parts No. are not supplied.
Les articles non mentionnés dans le Parts No. ne sont pas fournis.
Teile ohne Parts No. werden nicht geliefert.

* New Parts
Parts without Parts No. are not supplied.
Les articles non mentionnés dans le Parts No. ne sont pas fournis.
Teile ohne Parts No. werden nicht geliefert.

| Ref. No. 参照番号 | Address/ 位置 | Parts No. 部品番号 | Description 部品名 / 規格 | Desti- nation 仕 | Re- marks 備考 |
|------------------|----------------|-------------------|--------------------------------|-----------------------|--------------------|
| R283 | | * SH1255810085 | FUSE RESIST 1.0 J 1/4W | | |
| R207 | | * SH1105810593 | FUSE RESIST 470 J 1/4W | | |
| R308 | | * SH11255810214 | FUSE RESIST 100 J 1/4W | MXET | |
| R313 | | * R014882H1021J | RD 1.0K J 1/2W | MXET | |
| R315 | | * SH11255810214 | FUSE RESIST 100 J 1/4W | MXET | |
| R317, 318 | | R014882H4R7J | RD 4.7 J 1/2W | | |
| R321, 322 | | R014882H221J | RD 220 J 1/2W | | |
| R444 | | * SH1105810568 | FUSE RESIST 2.2 J 1/4W | | |
| R479 | | * SH1301580408 | FUSE RESIST 22 J 1/6W | | |
| R484 | | * SH1105810568 | FUSE RESIST 2.2 J 1/4W | | |
| R633, 634 | | * SH1105810600 | FUSE RESIST 5.6 J 1/4W | | |
| R637 | | * SH1305810835 | FUSE RESIST 4.7 J 1/4W | | |
| R818 | | * SH1305810426 | FUSE RESIST 33 J 1/4W | | |
| R819 | | * SH1105810609 | FUSE RESIST 8.2 J 1/4W | | |
| R835 | | * SH1305810426 | FUSE RESIST 33 J 1/4W | | |
| VR1 | | * SH1206700185 | TRIMMING POT 10K FOCUS GAIN | | |
| VR2 | | * SH1306700640 | TRIMMING POT 47K TRACKING OFF | | |
| VR3 | | * SH1256700081 | TRIMMING POT 100K F-OFF/T-BAL | | |
| VR5 | | * SH1206700185 | TRIMMING POT 10K TRACKING GAIN | | |
| VR401 | 1F | * SH1106700283 | POTENTIOMETER (BASS) | | |
| VR402 | 1F | * SH1106700282 | POTENTIOMETER (BALANCE) | | |
| VR403 | 2G | * SH1106700284 | POTENTIOMETER (VOLUME/MOTOR) | | |
| VR581, 502 | | * SH1306700640 | TRIMMING POT (PLAYBACK) | | |
| VR595, 506 | | * SH1306700640 | TRIMMING POT (BIAS) | | |
| VR599, 510 | | * SH1306700640 | TRIMMING POT (REC LEVEL) | | |
| VR701 | | * SH1206700185 | TRIMMING POT 10K NR SPEED A | | |
| VR702 | | * SH1306700651 | TRIMMING POT 10K HIGH SPEED A | | |
| VR703 | | * SH1206700185 | TRIMMING POT 10K NR SPEED B | | |
| VR704 | | * SH1306700651 | TRIMMING POT 10K HIGH SPEED B | | |
| VR901 | | * SH1306700640 | TRIMMING POT 47K FW STOP LEVEL | | |
| RLY201, 20 | 2 | * SH1106370012 | RELAY | | |
| SW201 | | * SH1105300472 | SLIDE SWITCH (VOLTAGE SELECT) | MX | |
| SW401-420 | 1F | * SH1305301178 | TACT SWITCH | | |
| SW451-459 | 2G | * SH1105300458 | TACT SWITCH | | |
| SW701-707 | 2J | * SH1305301178 | TACT SWITCH | | |
| SW708-709 | 2J | * SH1105300320 | SLIDE SWITCH | | |
| SW710-719 | 2J | * SH1305301178 | TACT SWITCH | | |
| SW801-806 | 11 | * SH1305301178 | SWITCH | | |
| SW808-812 | 11 | * SH1305301178 | SWITCH | | |
| SW813 | 11 | * SH1305301178 | SWITCH | ET | |
| SW814-817 | 11 | * SH1305301178 | SWITCH(RESET) | | |
| SW901 | 1K | * SH1305300614 | SWITCH | MX | |
| SW902 | 1K | * SH1105300403 | SWITCH | | |
| D1 | | ISS181 | D10DE | | |
| D2 | -9 | ISS184 | D10DE | | |
| D10 | | SVC203 | D10DE | | |
| D11 | | ISS184 | D10DE | | |
| D12 | | ISS181 | D10DE | | |
| D13 | | ISS184 | D10DE | | |
| D14 | | ISS133 | D10DE | | |
| D201 | | ISS133 | D10DE | | |
| D203 | | S4VB20 | D10DE | | |
| D204-218 | | * 11ES1 | D10DE | | |
| D211 | | ISS133 | D10DE | | |
| D212-220 | | * 11ES1 | D10DE | | |
| D221 | | * 11ES133 | D10DE | | |
| D222-224 | | * 11ES1 | D10DE | | |
| D351 | | ISS133 | D10DE | | |
| D352 | | * 11ES1 | D10DE | | |
| D354 | | S2VB40 | D10DE | | |
| D358-361 | | * 11ES1 | D10DE | | |
| D401, 402 | | ISS133 | D10DE | | |
| D501 | | ISS133 | D10DE | | |
| D503 | | ISS133 | D10DE | | |
| D505-508 | | ISS133 | D10DE | | |
| D701-713 | | ISS133 | D10DE | | |
| D715-722 | | * 11ES1 | D10DE | | |
| D723 | | ISS133 | D10DE | | |
| D724 | | ISS133 | D10DE | | |
| D733, 734 | | ISS133 | D10DE | | |
| D735 | | * 11ES1 | D10DE | | |
| D736, 737 | | ISS133 | D10DE | | |
| D739, 740 | | ISS133 | D10DE | | |
| D742-746 | | ISS133 | D10DE | | |
| D801-814 | | ISS133 | D10DE | | |
| D815 | | ISS133 | D10DE | | |
| D816 | | ISS133 | D10DE | | |
| D818 | | ISS133 | D10DE | | |
| D819 | | ISS133 | D10DE | | |
| D901, 902 | | ISS133 | D10DE | | |
| D906, 907 | | ISS133 | D10DE | | |
| IC1 | | * LR37632 | IC | | |
| IC2 | | LA9200M | IC | | |
| IC3 | | LC7881M | IC | | |
| IC4 | | UM6116M2 | IC | | |
| IC5 -7 | | NJM4560M | IC(OP AMP X2) | | |
| IC8, 9 | | LA6515 | IC | | |
| IC10 | | * M54641L | IC | | |
| IC11 | | NJM79L05A | IC(VOLTAGE REGULATOR/ +5V) | | |
| IC12 | | L78N05 | IC | | |
| IC13 | | NJM78L05A | IC(VOLTAGE REGULATOR/ +5V) | | |
| IC14 | | NJM79L05A | IC(VOLTAGE REGULATOR/ +5V) | | |
| IC15 | | NJM4560M | IC(OP AMP X2) | | |
| IC16 | | MC14066B | IC | | |
| IC17 | | IX1829AF | IC | | |
| IC18 | | MS1951ASL | IC(SYSTEM RESET) | | |
| IC201, 202 | | MS289P | IC | | |
| IC203 | | LC7522 | IC(TCH GRAPHIC EQUALIZER) | | |
| IC206 | | * IX1830AF | IC | | |
| IC208 | | MS2301 | IC(VOLTAGE REGULATOR) | | |
| IC209 | | STW4122M | IC | | |
| IC401 | | IX1252AF | IC | | |
| IC402 | | MS218AL | IC(OP AMP X2) | | |
| IC403 | | LC7560A | IC | | |
| IC404 | | XR1091 | IC | | |
| IC405 | | MS218P | IC(OP AMP X2) | | |
| IC406 | | LGP1US21X-1 | IC | | |
| IC407 | | LB1641 | IC(MOTOR DRIVER) | | |

E: Scandinavia & Europe K: USA P: Canada W: Europe
 Y: PK(Far East, Hawaii) T: England M: Other Areas
 V: AAFES(Europe) X: Australia
 A: A DECK
 B: B DECK
 Δ indicates safety critical components.

PARTS LIST

* New Parts
Parts without Parts No. are not supplied.
Les articles non mentionnés dans le Parts No. ne sont pas fournis.
Teile ohne Parts No. werden nicht geliefert.

| Ref. No. 参照番号 | Address 位置 | New Parts 新部品 | Parts No. 部品番号 | Description 部品名 / 規格 | Desti- nation 仕 | Re- marks 備考 |
|------------------|---------------|------------------|-------------------|-------------------------|-----------------------|--------------------|
| Q357 | | | DTC114YS | TRANSISTOR | | |
| Q358 | | * | 2SD2061E | TRANSISTOR | | |
| Q359 | | * | 2SC2785EF | TRANSISTOR | | |
| Q361 | | * | 2SC2785EF | TRANSISTOR | | |
| Q401, 402 | | | 2SC2785EF | TRANSISTOR | | |
| Q501, 502 | | | DTC114YS | TRANSISTOR | | |
| Q505, 506 | | * | DTC114YS | TRANSISTOR | | |
| Q511, 512 | | * | 2SC2785EF | TRANSISTOR | | |
| Q513 | | * | DTC114YS | TRANSISTOR | | |
| Q517 | | * | DTC114YS | TRANSISTOR | | |
| Q518 | | * | DTA114YS | TRANSISTOR | | |
| Q519, 520 | | * | 2SC2785EF | TRANSISTOR | | |
| Q521-524 | | * | 2SC2240BL | TRANSISTOR | | |
| Q525 | | * | 2SC2785EF | TRANSISTOR | | |
| Q526 | | * | DTA114YS | TRANSISTOR | | |
| Q527 | | * | DTC114YS | TRANSISTOR | | |
| Q529-531 | | * | 2SC2001-L | TRANSISTOR | | |
| Q532 | | * | 2SC2785EF | TRANSISTOR | | |
| Q533 | | * | DTC114YS | TRANSISTOR | | |
| Q534 | | * | 2SA933SR | TRANSISTOR | | |
| Q535 | | * | DTC114YS | TRANSISTOR | | |
| Q536 | | * | DTC144ES | TRANSISTOR | | |
| Q537-546 | | * | DTC114YS | TRANSISTOR | | |
| Q547, 548 | | * | 2SC2785EF | TRANSISTOR | | |
| Q549, 550 | | * | DTC144ES | TRANSISTOR | | |
| Q701, 702 | | * | 2SA562-Y | TRANSISTOR | | |
| Q703 | | * | 2SD1858R3 | TRANSISTOR | | |
| Q704 | | * | 2SB1237R3 | TRANSISTOR | | |
| Q705 | | * | 2SC1959Y | TRANSISTOR | | |
| Q706 | | * | 2SA562-Y | TRANSISTOR | | |
| Q707 | | * | 2SC1959Y | TRANSISTOR | | |
| Q708, 709 | | * | 2SA933SR | TRANSISTOR | | |
| Q710 | | * | 2SD2061E | TRANSISTOR | | |
| Q710 | | * | 2SD2061F | TRANSISTOR | | |
| Q711, 712 | | * | 2SA562-Y | TRANSISTOR | | |
| Q713 | | * | 2SD1858R3 | TRANSISTOR | | |
| Q714 | | * | 2SB1237R3 | TRANSISTOR | | |
| Q715 | | * | 2SC1959Y | TRANSISTOR | | |
| Q716 | | * | 2SA562-Y | TRANSISTOR | | |
| Q717 | | * | 2SC1959Y | TRANSISTOR | | |
| Q718-723 | | * | DTC114YS | TRANSISTOR | | |
| Q725-727 | | * | DTC114YS | TRANSISTOR | | |
| Q728 | | * | DTC144ES | TRANSISTOR | | |
| Q729-733 | | * | DTC114YS | TRANSISTOR | | |
| Q734 | | * | DTA114YS | TRANSISTOR | | |
| Q735, 736 | | * | DTC114YS | TRANSISTOR | | |
| Q804 | | * | 2SC2785EF | TRANSISTOR | | |
| Q805 | | * | 2SD1858R3 | TRANSISTOR | | |
| Q806 | | * | DTC144ES | TRANSISTOR | | |
| Q807 | | * | DTA114YS | TRANSISTOR | | |
| Q902 | | * | 2SC3600 | TRANSISTOR | | |
| Q903 | | * | DTC114YS | TRANSISTOR | | |
| Q905 | | * | 2SC1746LSR | TRANSISTOR | | |
| Q905 | | * | 2SC1740S | TRANSISTOR | | |
| Q906 | | * | 2SC2785EF | TRANSISTOR | | |

* New Parts
Parts without Parts No. are not supplied.
Les articles non mentionnés dans le Parts No. ne sont pas fournis.
Teile ohne Parts No. werden nicht geliefert.

| Ref. No. 参照番号 | Address 位置 | New Parts 新部品 | Parts No. 部品番号 | Description 部品名 / 規格 | Desti- nation 仕 | Re- marks 備考 |
|------------------|---------------|------------------|-------------------|-------------------------------|-----------------------|--------------------|
| IC501 | | | BA3414BL | IC | | |
| IC502 | | | LA2000 | IC(AUDIO LEVEL SENSOR) | | |
| IC503 | | * | HA12136A | IC(DOLBY B NR) | | |
| IC504 | | * | IX1215AF | IC | | |
| IC505 | | * | MS218AL | IC(OP AMP X2) | | |
| IC506, 507 | | * | IX1281AF | IC | | |
| IC508 | | * | MS1544AL | IC(REC AMP) | | |
| IC509, 510 | | * | IX1281AF | IC | | |
| IC511 | | * | MS218AL | IC(OP AMP X2) | | |
| IC701 | | * | IX1832AF | IC | | |
| IC702 | | * | IX1748AF | IC | | |
| IC801 | | * | IX1472AF | IC | | |
| IC802 | | * | IX1646AF | IC | | |
| IC803 | | * | MS1951ASL1 | IC | | |
| IC901 | | * | LA7000 | IC(PLL FREQUENCY SYNTHESIZER) | | |
| IC902 | | * | LA1265 | IC(FM/AM TUNER) | | |
| IC903 | | * | LA3401 | IC(FM MPX) | | |
| LC0401 | 2F | * | SH1105640054 | LCD (GE) | | |
| LC0402 | 2F | * | SH1105640053 | LCD (GD) | | |
| LC0801 | 11 | * | SH1105640058 | LCD (TIMER) | | |
| Q1, 2 | | * | DTC114YK | TRANSISTOR | | |
| Q3, 4 | | * | DTC365TK | TRANSISTOR | | |
| Q5 | | * | DTA144EK | TRANSISTOR | | |
| Q6, 7 | | * | DTC114YK | TRANSISTOR | | |
| Q9, 10 | | * | DTC114YK | TRANSISTOR | | |
| Q11 | | * | 2SA1182Y | TRANSISTOR | | |
| Q13 | | * | DTC114YK | TRANSISTOR | | |
| Q201 | | * | 2SC2785EF | TRANSISTOR | | |
| Q202 | | * | DTC114YS | TRANSISTOR | | |
| Q203-206 | | * | DTA114YS | TRANSISTOR | | |
| Q207 | | * | 2SD1858R3 | TRANSISTOR | | |
| Q208 | | * | 2SB1237R3 | TRANSISTOR | | |
| Q209 | | * | 2SD2061E | TRANSISTOR | | |
| Q210 | | * | 2SB1185E | TRANSISTOR | | |
| Q211-213 | | * | DTC114YS | TRANSISTOR | | |
| Q214 | | * | 2SD1858R3 | TRANSISTOR | | |
| Q215 | | * | DTA114YS | TRANSISTOR | | |
| Q216 | | * | 2SD2061E | TRANSISTOR | | |
| Q217 | | * | 2SC2603-A | TRANSISTOR | | |
| Q218 | | * | DTC144ES | TRANSISTOR | | |
| Q219 | | * | DTC114YS | TRANSISTOR | | |
| Q221 | | * | 2SC2785EF | TRANSISTOR | | |
| Q225, 226 | | * | 2SC2785EF | TRANSISTOR | | |
| Q227 | | * | DTC114YS | TRANSISTOR | | |
| Q228 | | * | 2SD1858R3 | TRANSISTOR | | |
| Q229 | | * | 2SC2785EF | TRANSISTOR | | |
| Q230, 231 | | * | DTA114YS | TRANSISTOR | | |
| Q232, 233 | | * | 2SA933SR | TRANSISTOR | | |
| Q234 | | * | DTA114YS | TRANSISTOR | | |
| Q351 | | * | 2SD1858R3 | TRANSISTOR | | |
| Q352 | | * | 2SD2061E | TRANSISTOR | | |
| Q353 | | * | 2SC2785EF | TRANSISTOR | | |
| Q354 | | * | DTC144ES | TRANSISTOR | | |
| Q355 | | * | 2SD2061E | TRANSISTOR | | |
| Q356 | | * | 2SC2785EF | TRANSISTOR | | |

E: Scandinavia & Europe K: USA P: Canada W: Europe
 Y: PX(Far East, Hawaii) T: England M: Other Areas
 Y: AA(E)(Europe) X: Australia
 * indicates safety critical components

PARTS LIST

* New Parts
Parts without Parts No. are not supplied.
Les articles non mentionnés dans le Parts No. ne sont pas fournis.
Teile ohne Parts No. werden nicht geliefert.

| Ref. No. 参照番号 | Address 位置 | New Parts 新部品 | Parts No. 部品番号 | Description 部品名 / 規格 | Desti- nation 仕向 | Re- marks 備考 |
|------------------|---------------|------------------|-------------------|------------------------------|------------------------|--------------------|
| 303 | 2D | | 003-0231-08 | REEL DISK ASSY | | |
| 304 | 2C | | 003-0232-08 | REEL DISK ASSY | | |
| 305 | 1E | | D10-2334-08 | SLIDER ASSY | | B |
| 306 | 1C, 1D | | 010-2335-08 | LEVER (C/F02, F, REC/R, REC) | | A |
| 307 | 1C, 1D | | 010-2335-08 | LEVER (C/F02) | | |
| 308 | 1E | * | 010-0336-08 | LEVER (HALF) | | |
| 309 | 2C | | 010-2338-08 | PLAY ARM | | |
| 310 | 1D | | 010-2339-08 | SLIDER | | |
| 311 | 2D | | 010-2340-08 | R00 (SOLENOID) | | |
| | | | 010-2341-08 | R00 | | |
| 313 | 2C | | 010-2057-08 | EJECT PREVENT ARM | | B |
| 314 | 2D | | 010-2226-08 | EJECT PREVENT ARM | | A |
| 315 | 1E | | 013-0812-08 | GEAR ASSY | | |
| 316 | 2C | | 014-0304-08 | IDLER ASSY | | |
| 318 | 2C | | 040-0928-08 | HEAD BASE | | |
| BM | 1E | | 016-0287-08 | BELT | | |
| PF | 2D | | 014-0311-08 | PINCH ROLLER ASSY | | |
| PR | 2C | | 014-0312-08 | PINCH ROLLER ASSY | | |
| 321 | 2D | | 125-6284-08 | LEAD WIRE | | A |
| 321 | 2E | | 125-6285-08 | LEAD WIRE (PLAY) | | B |
| 325 | 2C | | 001-2398-08 | EXTENSION SPRING | | |
| 326 | 2E | | 001-2400-08 | TORSION COIL SPRING | | |
| 327 | 1C | | 001-2442-08 | EJECT PREVENT SPRING | | A |
| 327 | 2D | | 001-2439-08 | EJECT PREVENT SPRING | | B |
| 328 | 1D | | 002-0947-08 | FLAT SPRING | | |
| 332 | 2D | | 119-3253-08 | LEAD HOLDER | | A |
| 333 | 2C | | 125-6284-08 | HEAD WIRE | | B |
| 333 | 2C | | 125-6285-08 | HEAD WIRE (PLAY/REC/ERASE) | | |
| 335 | 2C, 2D | | N09-1864-08 | STEPPED SCREW | | |
| 336 | 2C | | N09-2585-08 | MACHINE SCREW (M2X5) | | |
| 337 | 2D | | N09-2700-08 | MACHINE SCREW (M2.6X5) | | |
| 338 | 2D | | N09-2701-08 | MACHINE SCREW (M3X8) | | |
| 339 | 1D, 2C | | N09-2710-08 | MACHINE SCREW (M1.6X6) | | |
| 342 | 2C | | N19-0904-08 | FLAT WASHER (1.7X0.25) | | |
| 343 | 1E | | N19-0905-08 | FLAT WASHER (2.6X0.25) | | |
| 344 | 2C, 2D | | N19-1095-08 | FLAT WASHER (2.1X0.25) | | |
| 345 | 2C | | N19-1214-08 | FLAT WASHER (2.6X0.5) | | |
| 346 | 2D | | N29-0205-04 | E RING | | |
| S1, 2 | 1D | | S90-0105-08 | PUSH SWITCH | | |
| S5, 6 | 1D, 1E | | S90-0105-08 | PUSH SWITCH | | |
| 350 | 1D | | T94-0216-08 | SOLENOID COIL | | |
| 352 | 1D | | T95-0120-08 | OPTO REFLECTOR | | |
| MM | 1E | | T42-0535-08 | DC MOTOR ASSY (MAIN) | | A |
| PH | 2C | | T31-0056-08 | PLAYBACK HEAD | | |
| RM | 1D | | T42-0534-08 | DC MOTOR ASSY (REEL) | | |
| REH | 2C | | T39-0010-08 | REC/R0/PLAYBACK/ERASE HEAD | | B |
| PHI | 1D | | 0P2SD4B | PHOTO SENSOR | | |
| PHI | 1D | | SPI-335-358 | PHOTO SENSOR | | |

* New Parts
Parts without Parts No. are not supplied.
Les articles non mentionnés dans le Parts No. ne sont pas fournis.
Teile ohne Parts No. werden nicht geliefert.

| Ref. No. 参照番号 | Address 位置 | New Parts 新部品 | Parts No. 部品番号 | Description 部品名 / 規格 | Desti- nation 仕向 | Re- marks 備考 |
|------------------------|---------------|------------------|-------------------|-------------------------|------------------------|--------------------|
| 0907-909 | | * | 25C2785EF | TRANSISTOR | ET | |
| 0910, 911 | | * | 25C3800 | TRANSISTOR | | |
| 0913 | | * | DTA144WS | TRANSISTOR | | |
| 0913 | | * | DTA114ES | TRANSISTOR | ET | |
| 0914 | | * | DTA114ES | TRANSISTOR | | |
| 0915 | | * | DTC114YS | TRANSISTOR | ET | |
| 0916, 917 | | * | DTC114YS | TRANSISTOR | | |
| 0918, 919 | | * | DTC114YS | TRANSISTOR | MX | |
| 09401, 902 | | * | KV1246Z | VARIABLE | | |
| Z01 | | * | WTZ389A | ZENER DIODE | | |
| Z0201 | | * | HZ512AL3 | ZENER DIODE | | |
| Z0202 | | * | HZ512CL1 | ZENER DIODE | | |
| Z0203, 204 | | * | HZ578L2 | ZENER DIODE | | |
| Z0205 | | * | R05R6JS2 | ZENER DIODE | | |
| Z0206 | | * | R0130JS2 | ZENER DIODE | | |
| Z0351 | | * | R06R2JS2 | ZENER DIODE | | |
| Z0352, 353 | | * | HZ512AL3 | ZENER DIODE | | |
| Z0354 | | * | R05R6JS2 | ZENER DIODE | | |
| Z0355 | | * | HZ512BL3 | ZENER DIODE | | |
| Z0357 | | * | HZ682L | ZENER DIODE | | |
| Z0358 | | * | HZ982L | ZENER DIODE | | |
| Z0359 | | * | HZ682L | ZENER DIODE | | |
| Z0401 | | * | HZ56AL1 | ZENER DIODE | | |
| Z0402 | | * | HZ48-1 | ZENER DIODE | | |
| Z0501 | | * | R0100JS2 | ZENER DIODE | | |
| Z0562 | | * | HZ578L2 | ZENER DIODE | | |
| FE901 | | * | SH1125500004 | FRONT END | | |
| MECHANISM PARTS | | | | | | |
| 2 | 1B | * | SH1313730001 | MAGNET | | |
| 3 | 1B | * | SH1253230083 | DISC STOPPER | | |
| 5 | 1B | * | SH1102710085 | BELT | | |
| 6 | 1B | * | SH1102840110 | PULLEY DISK | | |
| 7 | 1B | * | SH1302810081 | PINION GEAR | | |
| 9 | 1A | * | SH1102480517 | SHIFT LEVER | | |
| 10 | 2B | * | SH1102070168 | LOAD CHASSIS | | |
| 11 | 2B | * | SH1302810228 | INTERMEDIATE GEAR | | |
| 12 | 2B | * | SH1302810229 | DRIVE GEAR | | |
| 13 | 3B | * | SH1252930015 | TURNTABLE ASSY | | |
| 15 | 3B | * | SH1303260448 | INSULATING RUBBER | | |
| 16 | 3B | * | SH1305301248 | LEAD IN SWITCH | | |
| 19 | 3A | * | SH1302810232 | LACK | | |
| 20 | 3A | * | SH1252580244 | LACK SPRING | | |
| 21 | 3A | * | SH1302810231 | FIXING LACK | | |
| 22 | 2B, 3B | * | SH1302900394 | GUIDE SHAFT | | |
| 23 | 2A | * | SH1101100378 | TRAY | | |
| 24 | 2B | * | SH1155300088 | LEAF SW | | |
| PM | 3B | * | SH1306300392 | DISC MOTOR | | |
| PK | 3B | * | SH1306300393 | FEED MOTOR ASSY | | |
| LM | 2B | * | SH1106300144 | LOAD MOTOR | | |
| PU | 3A | * | SH1106170095 | PICKUP WITHOUT AMP | | |
| 301 | 1E | | D01-0118-08 | FLY WHEEL ASSY | | |
| 302 | 1E | | D01-0119-08 | FLY WHEEL ASSY | | |

E: Scandinavia & Europe K: USA P: Canada W: Europe
Y: PX (Far East, Hawaii) T: England M: Other Areas
Y: AAFFES (Europe) X: Australia
A: A DECK
B: B DECK
△ indicates safety critical components

A-311/X-311

SPECIFICATIONS

A-311 (CD player/amplifier unit)

[Amplifier section]

Rated power output

20 watts per channel minimum RMS, both channels drive, at 6 Ω from 60 Hz to 15,000 Hz with no more than 0.9% total harmonic distortion (FTC).

(IEC/NF) From 63 to 12,500 Hz, 0.7% T.H.D.

at 6 Ω 20 W + 20 W

at 8 Ω 18 W + 18 W

(DIN) 1 kHz, at 6 Ω 20 W + 20 W

1 kHz, at 8 Ω 18 W + 18 W

(EIAJ) Maximum useful power output

at 6 Ω 30 W + 30 W

Input sensitivity/impedance

AUX 200 mV/50 k Ω

Output level/impedance

Super Woofer Pre-Out 1.3 V/600 Ω

Graphic equalizer 60 Hz, 150 Hz, 400 Hz, 1 kHz,
2.4 kHz, 6 kHz, 15 kHz

[CD player section]

Readout Non-contact optical readout
(semiconductor laser)

Frequency response 30 Hz ~ 20 kHz +1dB - 2dB

[GENERAL]

Power consumption 120 W (IEC)

96 W (for U.S.A. and Canada)

Dimensions W: 270 mm (10-5/8")

H: 165 mm (6-1/2")

D: 310 mm (12-3/16")

Weight (Net) 5.5 kg (12.12 lb)

Note:

KENWOOD follows a policy of continuous advancements in development. For this reason specifications may be changed without notice.

Note :

Component and circuitry are subject to modification to insure best operation under differing local conditions. This manual is based on, the Europe (E) standard, and provides information on regional circuit modification through use of alternate schematic diagrams, and information on regional component variations through use of parts list.

X-311/L (Tuner/cassette deck unit)

[X-311 FM tuner section]

Tuning frequency range 87.5 MHz ~ 108 MHz

Usable sensitivity (MONO at 75 Ω) 2.2 μ V

[X-311 AM tuner section]

Tuning frequency range

9 kHz step 531 kHz ~ 1,602 kHz

10 kHz step 530 kHz ~ 1,620 kHz

Usable sensitivity 500 μ V/m (loop antenna)

[X-311L FM tuner section]

Tuning frequency range 87.5 MHz ~ 108 MHz

Usable sensitivity (MONO at 75 Ω) 1.8 μ V

[X-311L MW tuner section]

Tuning frequency range 522 kHz ~ 1,620 kHz

Usable sensitivity 500 μ V/m (loop antenna)

[X-311L LW tuner section]

Tuning frequency range 153 kHz ~ 281 kHz

Usable sensitivity 500 μ V/m (loop antenna)

[Cassette deck section]

Recording system AC bias (Frequency: 105 kHz)

Wow & flutter 0.8% (WRMS)

[GENERAL]

Dimensions W: 270 mm (10-5/8")

H: 165 mm (6-1/2")

D: 274 mm (10-13/16")

Weight (Net) 3.3 kg (7.27 lb)

KENWOOD CORPORATION

Shionogi Shibuya Building, 17-5, 2-chome Shibuya, Shibuya-ku, Tokyo 150, Japan

KENWOOD U.S.A. CORPORATION

2201 East Dominguez Street, Long Beach, CA 90810;

550 Clark Drive, Mount Olive, NJ 07828, U.S.A.

KENWOOD ELECTRONICS CANADA INC.

P.O. BOX 1075, 959 Gana Court, Mississauga, Ontario, Canada L4T 4C2

TRIO-KENWOOD U.K. LTD.

KENWOOD HOUSE, Dwight Road, Watford, Herts., WD1 8EB United Kingdom

KENWOOD ELECTRONICS BENELUX N.V.

Mechelsesteenweg 418 B-1930 Zaventem, Belgium

KENWOOD ELECTRONICS DEUTSCHLAND GMBH

Rembrucker-Str. 15, 6056 Heusenstamm, Germany

TRIO-KENWOOD FRANCE S.A.

13 Boulevard Ney, 75018 Paris, France

KENWOOD LINEAR S.p.A.

20125, MILANO-VIA ARBE, 50, ITALY

KENWOOD ELECTRONICS AUSTRALIA PTY. LTD. (INCORPORATED IN N.S.W.)

P.O. BOX 504, 8 FIGTREE DRIVE, AUSTRALIA CENTRE, HOME BUSH, N.S.W. 2140, AUSTRALIA

KENWOOD & LEE ELECTRONICS, LTD.

Wang Kee Building, 4th Floor, 34-37, Connaught Road, Central, Hong Kong